

## Flush Mount In-Wall Stereo Amplifier for Amazon Echo Dot (2nd Gen)

The VAIL Amp easily turns any Amazon Echo Dot into an in-wall high-performance audio source. The small fully contained amplified assembly firmly holds the Dot in an attractive wall dock that allows for accurate voice intelligibility and convenient light switch level access to the Dot's surface controls. Its high-power amplifier can be connected to up to two pairs of any in-ceiling, in-wall or cabinet speakers. The VAIL Amp becomes your in-wall volume control keypad, voice control, and streaming music source.

### THREE PRIMARY HOME AUDIO NEEDS

1. TV Connectivity
2. Music Streaming
3. Mobile Connectivity

### UTILIZE AMAZON ALEXA SKILLS:

1. Multi-Room Audio Feature
2. Smart-Home Control
3. Paging Intercom System

### KEY FEATURES

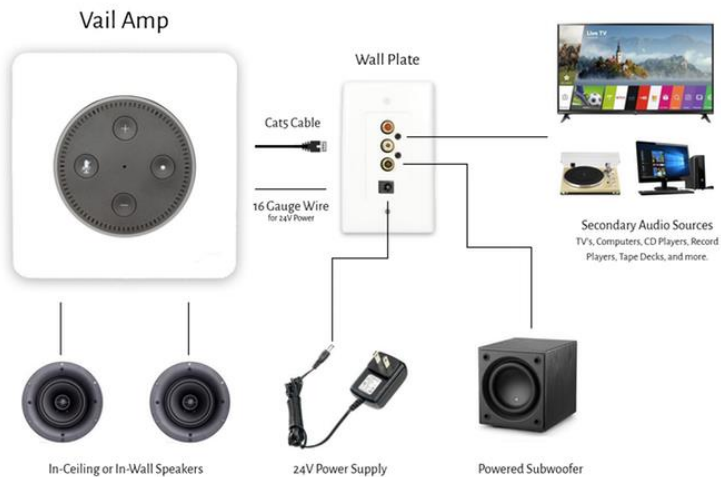
- High-Performance Digital Amplifier 2 x 30Watts
- 4ohm/8ohm Switchable
- Provides Power to Amazon Echo Dot
- 3.5mm Aux Audio Jack for Amazon Echo Dot
- LINE In for Any Additional Audio Source
- Subwoofer Output
- Wall Plate Fits on Any Standard 1-Gang Box
- Extendable Connections From VAIL Amp to Wall Plate up to 300ft.
- CAT5 Cable – For Audio Input and Subwoofer Output
- 16/2 Speaker Wire – For Power
- 24v Power Supply
- Paintable Snap-On Square Trim Cover



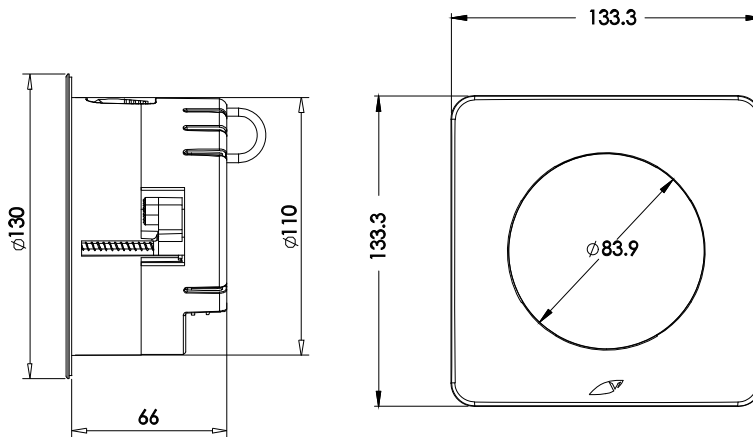
Flush Mount In-Wall Stereo Amplifier for Amazon Echo Dot (2nd Gen)

**MECHANICAL SPECIFICATIONS**

- Cut Out Dimensions: 4 1/2" (114mm)
- FLC-601 Speaker Cut Out Dimensions: 8 1/4" (210m)
- Speaker Pre-Construction – Use Vanguard PCBC-6 or MSE-6



**VAIL AMP**



**WALL PLATE**

