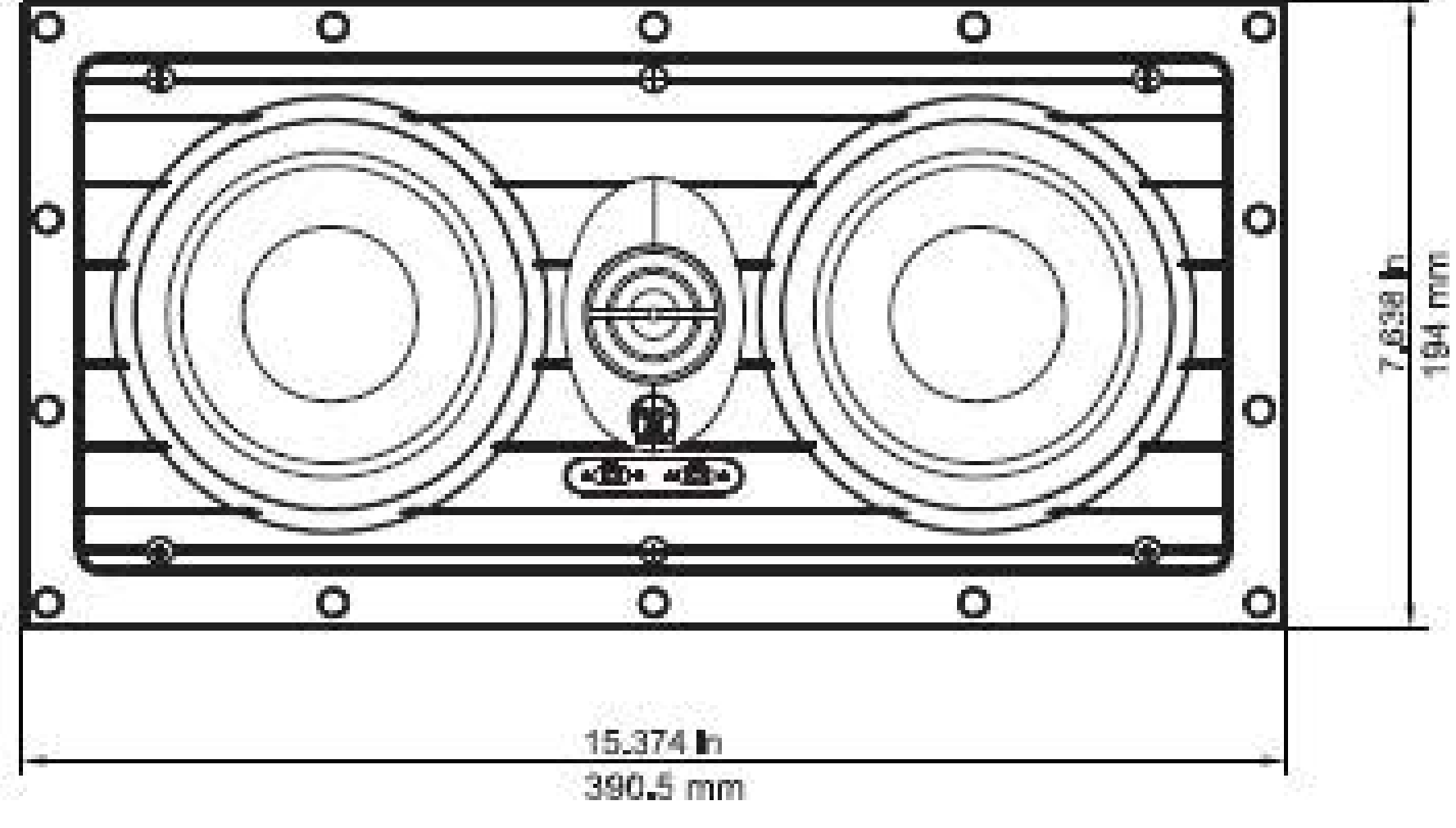
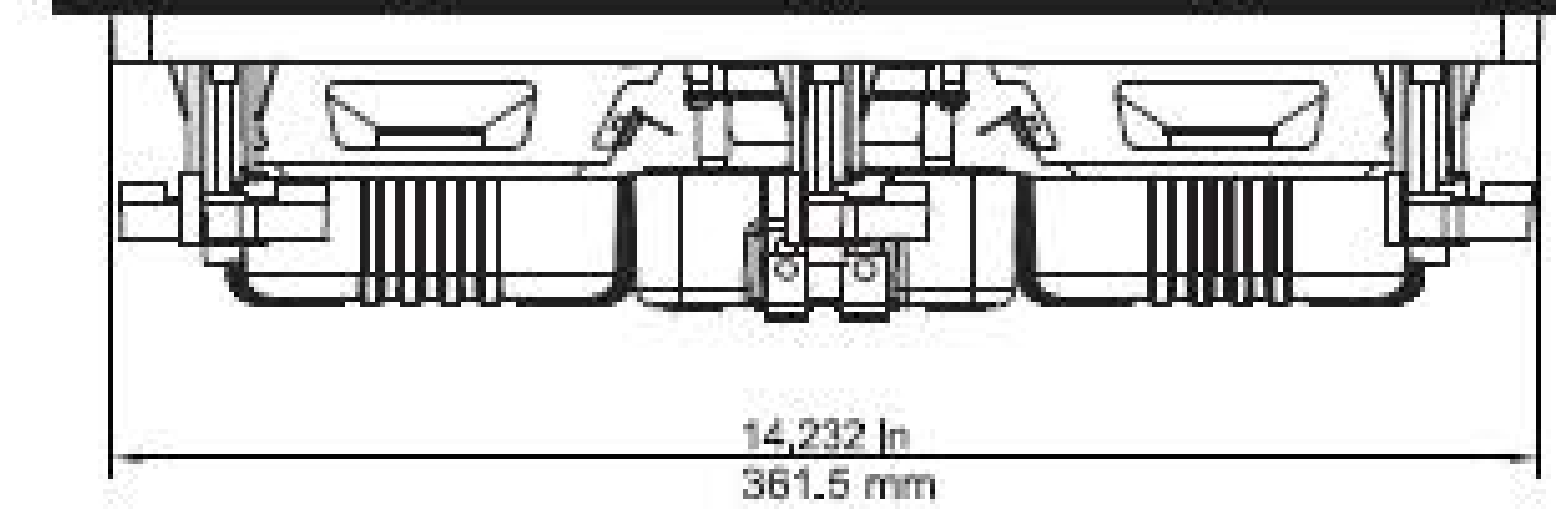
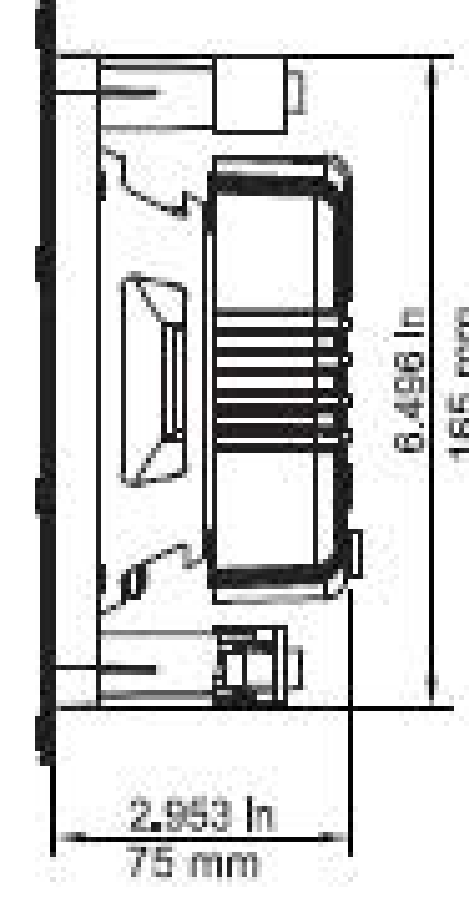


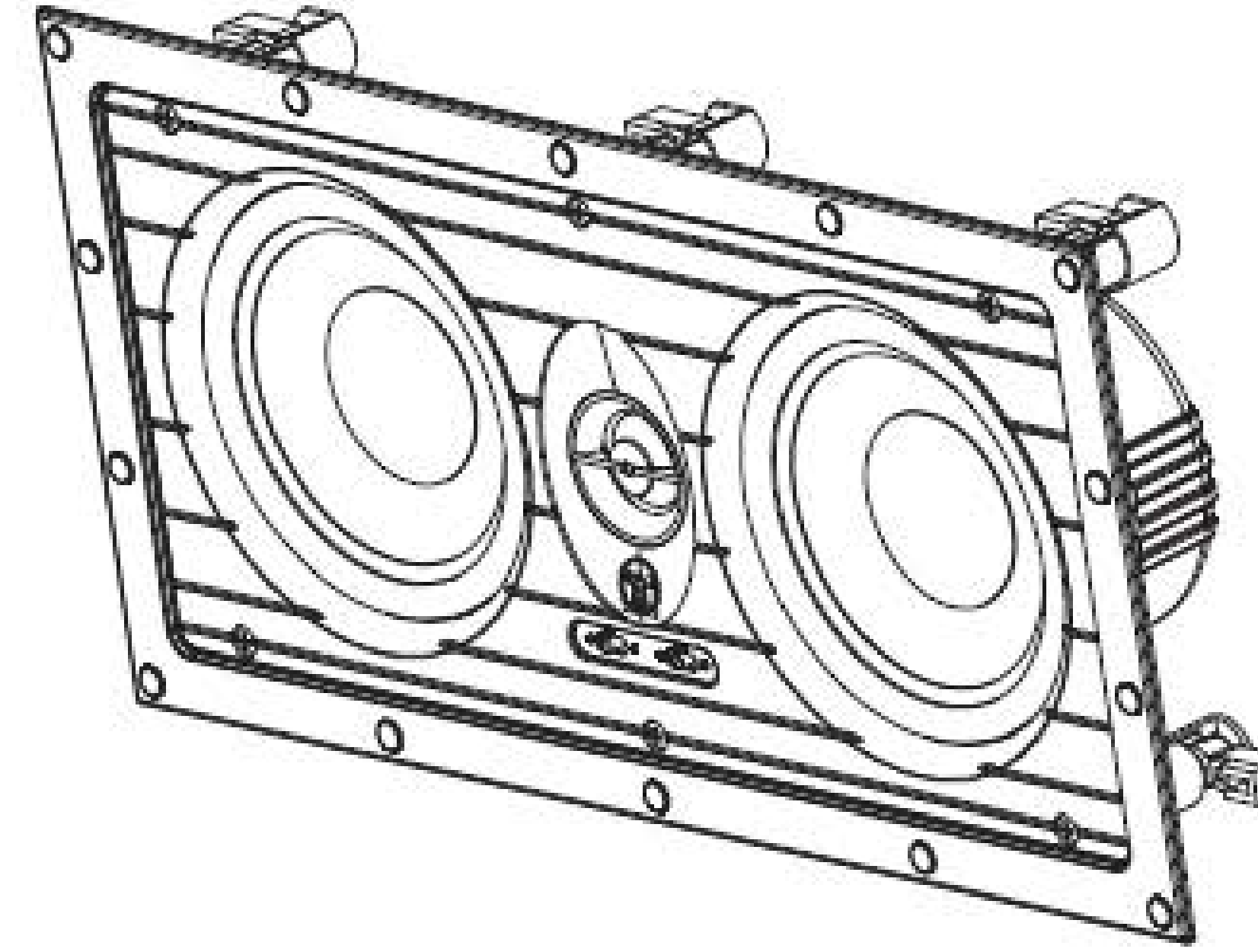
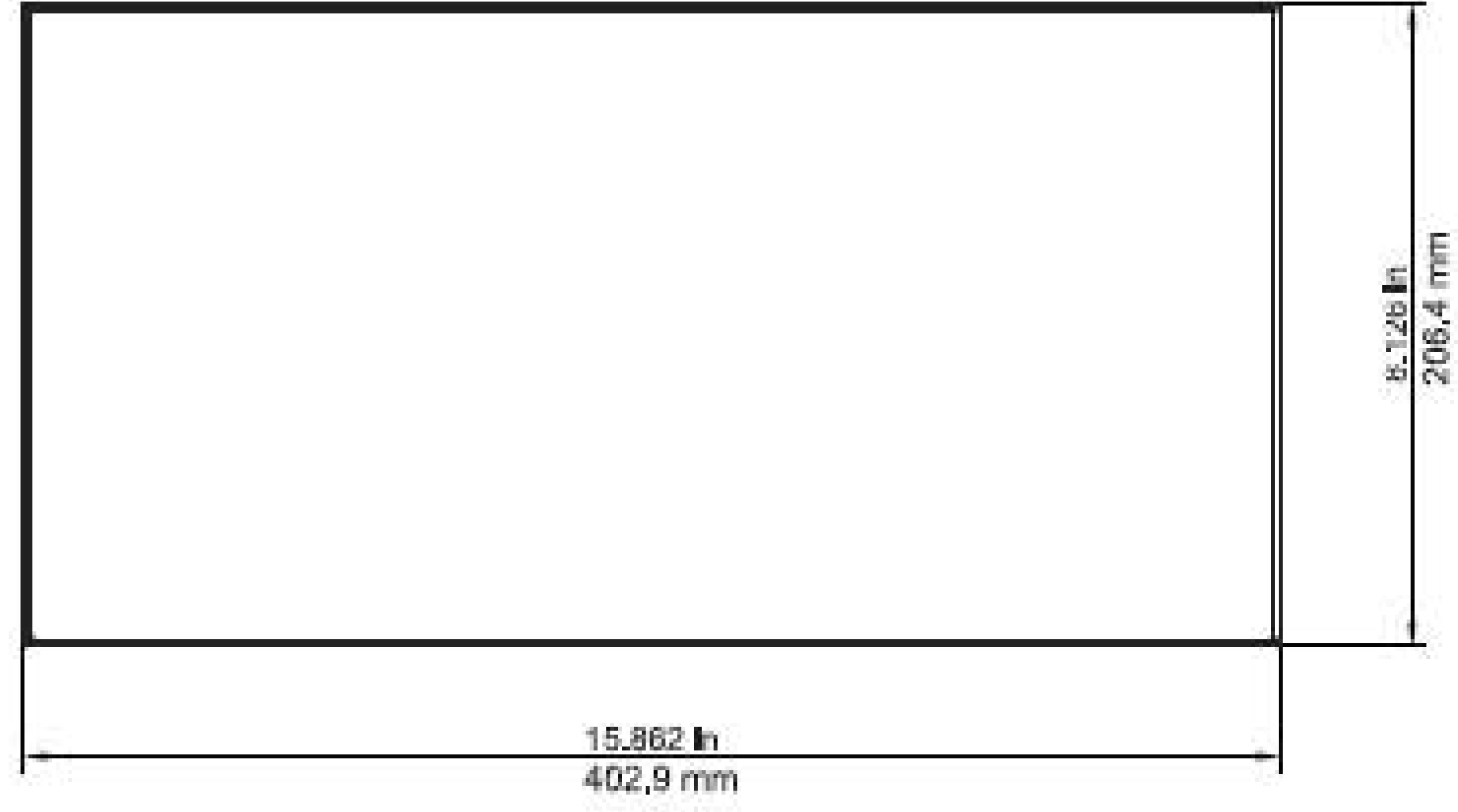
FRONT



MOUNTING DEPTH/  
MINIMUM CUTOUT



GRILLE



NFLCR-51

REV.

DRWN - PART NUMBER

DRAWN BY:

SCALE: 1:1

SHEET: OF

OF

RELEASED ON:

1 (866) TDG 6321 | TDGAUDIO.COM



TDG AUDIO