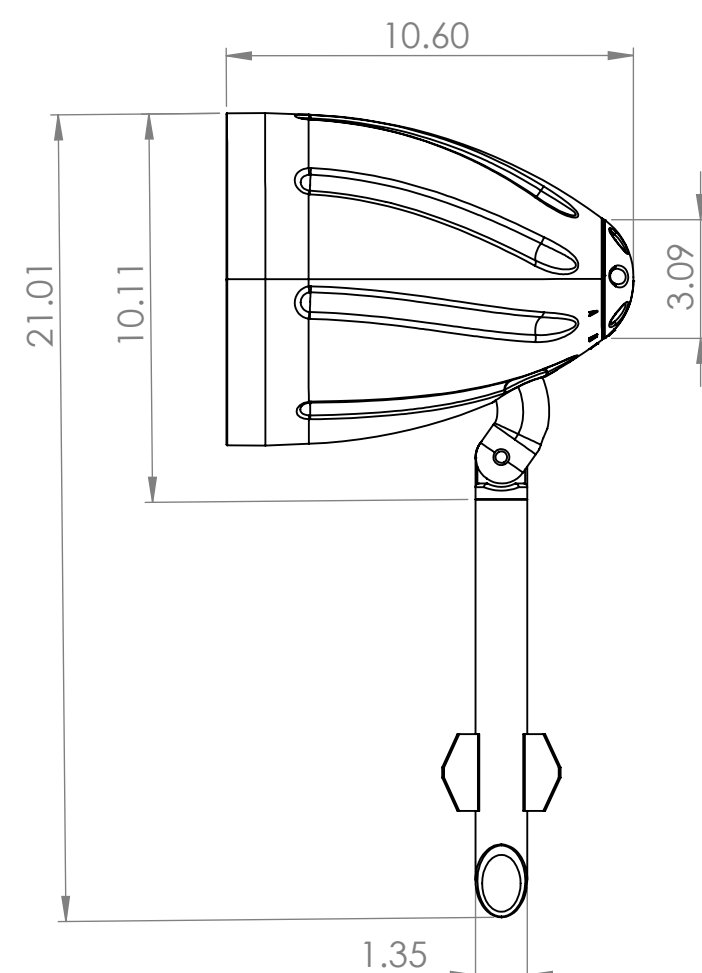
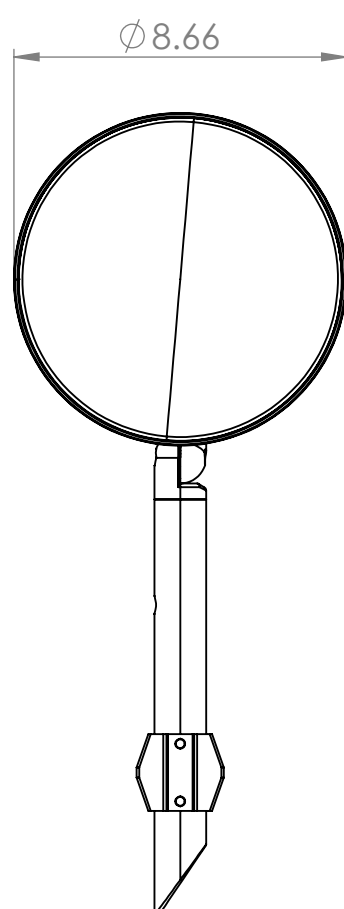
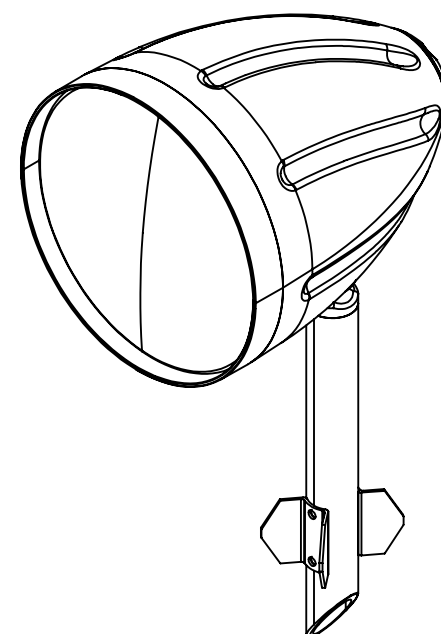


4

3

2

1



B

B

A

A

UNLESS OTHERWISE SPECIFIED:

DIMENSIONS ARE IN INCHES
 TOLERANCES:
 FRACTIONAL ±
 ANGULAR: MACH ± BEND ±
 TWO PLACE DECIMAL ±
 THREE PLACE DECIMAL ±

PROPRIETARY AND CONFIDENTIAL
 THE INFORMATION CONTAINED IN THIS
 DRAWING IS THE SOLE PROPERTY OF MSE
 AUDIO. ANY REPRODUCTION IN PART OR
 AS A WHOLE WITHOUT THE WRITTEN
 PERMISSION OF MSE AUDIO IS PROHIBITED.

INTERPRET GEOMETRIC
 TOLERANCING PER:
 MATERIAL
 FINISH
 DO NOT SCALE DRAWING

DRAWN	NAME	DATE
kmcdonald	kmcdonald	2023-06-13
CHECKED		
COMMENTS:		



TITLE:
Periscope 6

SIZE	DWG. NO.	REV
B		
SCALE: 1:5	WEIGHT:	SHEET 1 OF 1

4

3

2

1