

Black Cube Black Cube SE

Phonoverstärker

Phono Stage/Amplificateur Phono
Amplificador Phono/Preamplificatore Phono



Table of content

- 29 | Introduction
- 30 | Important safety notes
- 34 | Installation
- 36 | Functional description
- 39 | Putting into operation
- 40 | Common settings
- 41 | Expert notes
- 43 | Sound optimisation tips
- 44 | Technical data
- 46 | Troubleshooting
- 50 | Legal notes

Although you may have had some experience with phono stages from other manufacturers, please read the manual carefully before putting the Black Cube/Black Cube SE to service and keep it close to the device for future reference!



Lehmannaudio Vertriebs GmbH

Waltherstr. 49 – 51
51069 Köln (Germany)

Phone: +49 221 – 29 49 33 20

Fax: +49 221 – 29 49 33 19

info@lehmannaudio.com

www.lehmannaudio.com

www.facebook.com/lehmannaudio

www.twitter.com/lehmannaudio

Introduction

Dear Customer,

thank you very much for your trust you have placed in us with the purchase of the Black Cube or the Black Cube SE respectively. These phono preamps from Lehmannaudio are meticulously crafted devices for connecting standard turntables equipped with MM or MC systems.

All our products are developed and manufactured in Germany exclusively. Since our company foundation back in 1988 Lehmannaudio has represented first-class devices which are always committed to the original sound and made with love for detail. Owing to top-quality components and a sophisticated circuit design we can guarantee listening enjoyment on an excellent level. In every respect the Black Cube, and even more so the Black Cube SE, are superior to industrial mass products. The devices even meet very high demands on a truthful and emotionally thrilling reproduction of your records.

You will find additional information in this operating manual as well as on our website at www.lehmannaudio.com.

Showcase your favourite records now in a completely new light and re-experience analogue music enjoyment full of passion.

Your Norbert Lehmann
CEO

Important safety notes

In this manual we use hierarchic 'red flags'. Warning notes are printed in bold and also marked and highlighted by a symbol (warning sign) in the text.

The warning notes are classified hierarchically according to the following scheme:

1. **WARNING!**
2. **CAUTION!**
3. **NOTE!**



This symbol points to important operation and maintenance notes in the accompanying documentation. Please refer to the manual.



This symbol warns of the presence of a non-insulated hazardous voltage inside the device and the risk of a potentially life-threatening electric shock.



This symbol refers to additional information in the manual. Here you will find supplementary information, recommendations and tips regarding the use of the product.



CAUTION!

Read all safety and operation notes before putting the device to service.

Storage

Keep the safety and operation notes for future reference.

Warning notes

Observe all warning notes printed on the device or contained in the manual.

Operation notes

Follow all operation notes and advice for users.

Heat

The device must not be placed near heat sources like radiators, heat accumulators, stoves or other heat-generating appliances (e.g. amplifiers).

Ventilation

Do not cover any ventilation slots on the device and when mounting it in a rack, make sure that there is sufficient air circulation. Always heed the appropriate manufacturer notes when installing the unit.

Water and moisture

Do not expose the unit to rain nor use it in close proximity to water (bath tub, swimming pool etc.) or in high air humidity (condensation).

Ingress of liquids

Make sure that no dripping or spray water can enter into the interior of the unit. Don't place objects filled with liquids (such as vases or drinking vessels) on the device.

Power cable

Use only power cables which are officially approved for your country. The power cable must be designed for the product and its corresponding power consumption (voltage/current) as stated on the device label and in the user manual.



CAUTION!

Use the device only on a power outlet with protective conductor connection and correct polarity. Do not disable the function of the protective conductor connection on the included power cord. If the plug of the included cable won't fit into your mains outlet, contact your local electrician.

Mains connection

Protect the power cord from footsteps and crushing, notably on the device plug, the extension cord and the cable outlet on the device.

Power supply

Only use the included power supply.

Thunderstorm

Disconnect the unit from mains to protect it from lightning strokes and excess voltage.

Electric overload

Do not exceed the maximum load current for power outlets, extension cables or integrated multi sockets. Overload may cause a fire.

Fire sources

Do not put any open fire sources (e.g. burning candles) on the device.

Accessories

Use only accessories/extensions with the device which have been approved by the manufacturer for this purpose.

Mounting

Use the device only in a safe, level position on a table, dolly or a special designed stand. Don't drop the unit, since this may cause personal injuries and damages to the device. When installing the device, make sure that the mains plug will remain easily accessible.

Cleaning

Use only a dry cloth for cleaning the device.

Non-use

Pull the mains plug if the unit is not used over prolonged periods of time.

Service

All service and repair works must be carried out by an authorised service technician. Service is required if the device has been damaged in any way, for instance if

- the power cord or mains plug have been damaged,
- liquid or some object has got into the unit,
- the device has been exposed to rain or moisture
- or if it does not function normally or after it has been dropped.

Spare parts

Only such spare parts must be used exclusively for repair works which have been specified and approved by the manufacturer.

Installation

This section tells you about the connections, control elements and application possibilities of your Lehmannaudio Black Cube/Black Cube SE phono amplifier.

1 | Unpacking

After unpacking the Black Cube/Black Cube SE check it for possible transport damages. If you notice visible damages, you must by no means connect the device to mains. In this case consult your dealer immediately.

Delivery includes the following components:

- Black Cube device
- Power supply (Black Cube) or PWX power supply (Black Cube SE)
- Mains cable
- User manual
- Allen key (2 mm)
- 4 jumpers
- Certificate of warranty



Note

We recommend keeping the entire packaging for later shipment. That way you will avoid transport damages. Use by no means 'foam chips' or similar packaging material. Otherwise the device will jolt through to the bottom of the cardboard box during transport and can be damaged! If the original packaging is no longer available, it's best to use bubble wrap in which to wrap up the device in a generous manner. Finally the whole should be put into a solid cardboard box.

2 | Setup

Always position the Black Cube/Black Cube SE on a stable surface. Thanks to the compact dimensions and low weight, you can set up the Black Cube/Black Cube SE directly next to the record player.

3 | Connecting

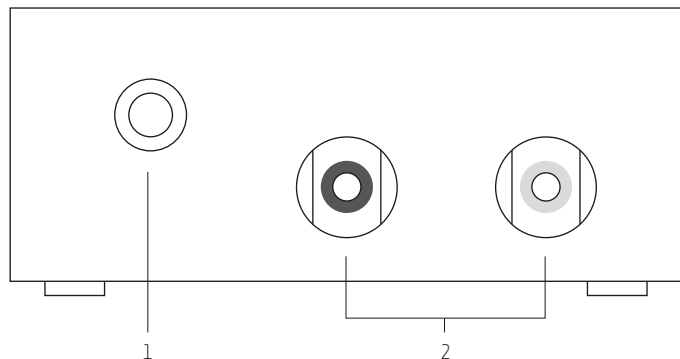
Check whether the included mains adapter is suitable for connection to the mains network used in your country. On the adapter, you will find information about the specified mains voltage for the device. Now connect the Black Cube/Black Cube SE to the mains network using the external power supply and the connection on the rear of the device.

Note the safety instructions starting on page 30!

Functional description

In this chapter you will learn more about the connections, controls and also the application possibilities of your Lehmannaudio Black Cube/Black Cube SE phono stage.

Input



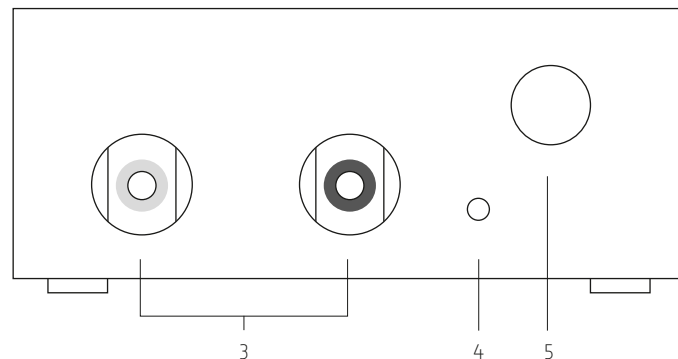
1 | Ground terminal (GND)

If your record player has a separate ground cable, please connect it here. The terminal is suitable for connecting a cable, flex, open cable ends, cable lug or 4 mm banana plug.

2 | Input jacks (IN)

Connect the cables coming from your record player to these jacks. The left jack (black) is for the left channel, the right jack (red) for the right channel. Please be sure to connect the channels correctly.

Output



3 | Output jacks (OUT)

RIAA filtered high-level output. Connect the cables that either lead to the input of a downstream high-level pre-amplifier (high-level inputs are labelled 'Line', 'AUX', 'CD', 'Tuner' etc.) or directly to a power amplifier with volume control. Here too, please be sure to connect the cables to the correct channels. When the device is viewed from above, the respective matching channels are arranged in a line.

**ATTENTION!**

Never connect the output of the Black Cube/Black Cube SE to the phono input of another device. This could damage the phono stage or speakers.

4 | Operating mode display (LED)

When the LED is lit up, the Black Cube/Black Cube SE is operational. The device does not have a power switch.

5 | Grommet for the external power supply (Black Cube)/PWX power supply (Black Cube SE)

The four-pin Neutrik XLR connector is plugged into the enclosed power supply. Please do never pull off or plug in this connection during operation.

By purchasing a PWX power supply the Black Cube is upgradeable to the Black Cube SE.

Putting into operation

To put your Black Cube/Black Cube SE into operation, you need information about your pick-up system.



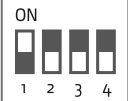
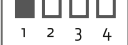
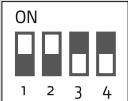

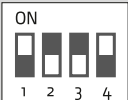

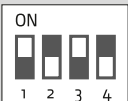

Two details are important: Are we talking about an MM (moving magnet) or MC (moving coil) system? What is the required connection resistance? As a rule, you will find both pieces of information on the product packaging of your pick-up system. Please ask your specialist dealer for recommended values in case of doubt. Support for correctly configuring your Black Cube/Black Cube SE will be gladly provided.

Once you have the required information, please proceed as follows:

- 1 | Set the volume **on your system to minimum** or turn your amplifier off entirely.
- 2 | Connect the **power supply**.
- 3 | Set the **gain for your pick-up system (MM/MC)** on the Black Cube/Black Cube SE. The setting must be identical for both channels. Use the **DIP switches on the bottom of the device** and the **gain jumpers on the inside**. Common amplifier settings for various types of pick-ups are found on the next page. The gain jumpers are inserted at the factory.
- 4 | Set the **terminating resistance** on the Black Cube/Black Cube SE. The setting must be identical for both channels. Use the **custom impedances inside and the DIP switches on the bottom of the device**. Further information is found on page 41.
- 5 | Connect the **record player to the input** on the Black Cube/Black Cube SE.
- 6 | Connect the output on the Black Cube/Black Cube SE to a **line input on the downstream amplifier**. To largely exclude line losses, the signal cables should be kept short.

Common settings

The switch/gain jumper configurations for some systems are listed below. Please note that both channels must have the same setting in all cases.

System	Switch	Gain jumper
MM	ON 	X
MM High output		–
MC 47 kohms	ON 	X
MC 47 kohms Mid output		–
MC 1 kohm	ON 	X
MC 1 kohm Mid output		–
MC 100 ohms	ON 	X
MC 100 ohms Mid output		–
MC custom impedance	ON 	X
MC custom impedance Mid output		–

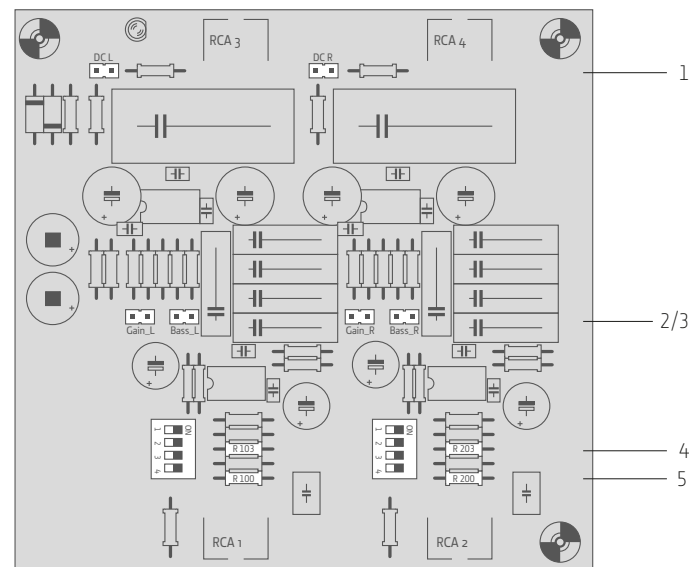
X = jumper inserted (delivery condition)

Expert notes

The Black Cube/Black Cube SE can be adapted to virtually all systems available on the market.

With the exception of the DIP switches, the adjustment mechanisms are located inside the device and should only be changed by experts. An Allen key to open the housing and jumpers to change the amplification are included with the device.

Interior view



1 | DC 1/DC 2

The MKP output capacitors are bridged with these jumpers so they are no longer in the signal path. These jumpers are not activated at delivery.



ATTENTION!

When output capacitors are bridged, there may be DC voltage on the outputs. Before activating these jumpers, it is therefore necessary to ensure that the downstream input stage has a DC voltage input filter since DC voltage can damage the speakers. In case of doubt, have your system checked by the dealer first.

2 | Gain_L/Gain_R

These jumpers change the amplification by +10 dB and are activated at delivery. With the DIP switches accessible on the bottom of the device (respectively no. 1), you can switch the gain between 46 dB (MM) and 66 dB (MC). You can remove the jumpers if this amplification is too high.

3 | Bass_L/Bass_R

These jumpers activate the soft bass roll-off filter to prevent membrane flutter when playing back warped records. The cut-off frequency is 50 Hz, the filter slope is 6 dB/oct. These jumpers are not activated at delivery.

4 | R103/R203

Available custom impedance plug connections for activation with the DIP switches for the channels (respectively no. 3). An impedance/capacity activated here is switched in parallel to all other impedances/capacities activated by switches and the 47 kohms/100 pF.

5 | R100/R200

These are free hardware plug-in slots for additional impedances/capacitors with immediate effect and no need for activation via switches. A resistor/capacitor plugged in here will be put in parallel with all other switch-activated impedances/capacitors and the 47 kohms/100 pF.

Sound optimisation tips

The Black Cube/Black Cube SE can only be as good as the signal supplied by the turntable or pick-up system. Since playing back a record consists of mechanical sampling with many important influencing variables, we provide some sound optimisation tips here. For high-end record players in particular, you should consult your dealer for the required service and adjustments.

1 | Adjusting the pick-up arm geometry and system should always be performed by a specialist. In case of incorrect settings, the effects range from sound problems to one-sided and therefore premature wear of the system. Good specialist dealers have special measuring and adjusting equipment. It is much more accurate than what may be included with the pick-up system.

2 | On record players with a sub-chassis, the **vibration behaviour** should also be optimised by an expert. Sound improvements are possible here as well.

3 | Using a **decoupling mat** that contributes to better mechanical separation between the record and turntable can further improve the sound quite significantly.

4 | Special attention should also be paid to the chosen **cable materials and assembly**. This applies in particular to the system cables (headshell), the cables from the pick-up to the Black Cube/Black Cube SE and the cables to the downstream pre-amplifier.

Technical specifications

	MM	MC
Sensitivity for output level 775 mV/ 0 dB (with activated high gain jumpers)	3.8 mV/1 kHz	0.38 mV/1 kHz
Gain 1 kHz	46 dB	66 dB
Maximum input level	45 mV	4.5 mV
Signal to noise ratio (RMS unweighted)	71 dB	63 dB
Gain	36 dB, 46 dB, 56 dB, 66 dB	
Channel separation	> 85 dB at 10 kHz	
Input impedance	47 kohms, 1 kohm, 100 ohms • 1 x custom load • 1 x Hardwire slot	
Output impedance	47 ohms	
Input capacitance	100 pF	
Channel mismatch	typ. 0.5 dB	
Bass filter	50 Hz, 6 dB/oct.	
Power consumption	< 3 W	
Mains voltage	• Europe: 240 V AC • USA/Canada/Mexico/Taiwan: 120 V AC	
Fuse	• Europe: no fuse (Black Cube), 250 mA Slow (Black Cube SE) • USA/Canada/Mexico/Taiwan: no fuse (Black Cube), 500 mA Slow (Black Cube SE)	

Outer dimensions W x D x H	<ul style="list-style-type: none"> • Audio section: 113 mm x 108 mm x 45 mm • Power supply (Black Cube): 70 mm x 115 mm x 55 mm • PWX power supply (Black Cube SE): 92 mm x 232 mm x 45 mm
Weight	<ul style="list-style-type: none"> • Audio section incl. cable to power supply: 0.4 kg netto • Power supply (Black Cube): 0.3 kg netto • PWX power supply (Black Cube SE): 1.0 kg netto

Troubleshooting

Fault	Cause	Solution
LED indicator is not lit.	The mains cable is not plugged in at the power outlet.	Insert the mains cable into the power outlet.
	The power supply is not connected with the device.	Connect the power supply with the device.
No signal.	The mains cable is not plugged in at the power outlet.	Insert the mains cable into the power outlet.
	The power supply is not connected with the device.	Connect the power supply with the device.
	Input and output are not wired correctly on the Black Cube/Black Cube SE.	Check if the cables coming from the turntable are connected to the input and also if those going out to the amp are connected to the output of the Black Cube/Black Cube SE. Reconnect them correctly if necessary.
	A wrong input channel has been selected on the following amplifier.	Select the appropriate input channel.
Signal on one channel only.	The DIP switches are unevenly set or there is only one gain jumper plugged in.	Check the positions of both DIP switches or gain jumpers. Make sure that the settings are equal on both channels.

Signal on one channel only.	One connection lead has a loose contact, is not well plugged in or defective.	Check the connection leads for slack joints, loose pushfits or defects and, if necessary, replace them. Potential causes: system cable (headshell), tonearm cable from turntable to Black Cube/Black Cube SE and line cable from Black Cube/Black Cube SE to the following input.
	The subsequent input stage is defective.	Check by connecting to different line inputs.
Left and right channels are reversed.	The channels were reversed in the connection lead.	Check the connection leads and swap the channels here, if necessary. Potential causes: system cable (headshell), tonearm cable from turntable to Black Cube/Black Cube SE and line cable from Black Cube/Black Cube SE to the following input.
Signal level is too low.	Non-optimal matching between pickup cartridge and Black Cube/Black Cube SE.	Increase the gain factor according to this user manual by means of the DIP switches located on the bottom side of the Black Cube/Black Cube SE and/or enable the gain jumpers.
	The selected input impedance on the Black Cube/Black Cube SE is too low.	Select a resistance value for the input impedance which is at least 10 times greater than the pickup's system impedance.

Signal is soft and muffled.	An MC impedance has been selected for an MM system.	Deactivate all MC impedances via DIP switch. Also watch out for a custom impedance that may be plugged in.
Signal sounds distorted.	The gain is set too high on the Black Cube/Black Cube SE.	Lower the gain factor according to this user manual by means of the DIP switches located on the bottom side of the Black Cube/Black Cube SE and/or disable the gain jumpers.
	The output of the Black Cube/Black Cube SE is connected to the subsequent phono input.	Connect the output of the Black Cube/Black Cube SE to a line input on the following amp.
The signal sounds hollow, without a proper bass and localisation.	The pickup system has been connected phase-reversed.	Connect the system cable in-phase.
Audible hum.	The tonearm ground is not connected on the Black Cube/Black Cube SE.	Connect the tonearm ground on the Black Cube/Black Cube SE.
	Several connected devices create a ground loop.	Make a correct grounding connection. If required, consult an electrician.
	There is an interference caused by some other power consumer.	One by one, disconnect all devices connected to the same electric circuit and listen to the effect. Keep the interfering device turned off during music listening or use a mains filter to connect it to the electric circuit.

Audible hum.	The mains transformer of a device placed nearby is causing interference at the input.	Make sure the distance between your hifi chain and interfering devices is sufficient.
Radio interference audible in the background.	The tonearm ground is not connected on the Black Cube/Black Cube SE.	Connect the tonearm ground on the Black Cube/Black Cube SE.
	The standard input capacitance (100 pF) is too low for MC.	See your dealer to have the custom impedance plug-in slot fitted with an additional capacitance.

If a problem cannot be remedied with the help of this summary, please contact the specialist retailer where you purchased the device. If this is not possible, you can easily find another competent dealer in your area with the dealer search at www.lehmannaudio.com/service/dealers.

Legal notes

Warranty

Each device from Lehmannaudio is tested individually and subject to a comprehensive functional check. The use of only the very best components enables us to grant a warranty of two years.

The receipt/proof of purchase shall serve as warranty proof. A registration form is supplied with the product or can be downloaded at www.lehmannaudio.com/service/register.html. Damages due to incorrect installation or inappropriate handling are not covered by warranty and will therefore be repaired at the owner's expense. Claims for damage of any kind, notably for secondary failures, are excluded. In addition we exclude any liability which exceeds the merchandise value of the device.

The general terms and conditions apply of:



Lehmannaudio Vertriebs GmbH
 Waltherstr. 49 – 51
 51069 Köln (Germany)
 Phone: +49 221 – 29 49 33 20
 Fax: +49 221 – 29 49 33 19
www.lehmannaudio.com

State of technology

To ensure the highest audio quality, Lehmannaudio devices are constantly updated to the current state of the art. We reserve the right to make necessary alterations in design and circuitry without prior notice. Technical data and visual appearance may therefore differ from the present user manual.

Service

In any event all maintenance or repair works must be carried out by qualified technical staff. If you want to send back the device, please contact Lehmannaudio directly to discuss the procedure in detail.

For service works on the Black Cube/Black Cube SE please contact the retailer where you purchased the device. If this is not possible, you can easily find another competent dealer in your area with the dealer search at www.lehmannaudio.com/service/dealers.

Any modifications on the device are not permissible. In case of nonobservance the device will lose its CE conformity and warranty claims.

Trademark and copyright

All trademarks and registered brands used in this manual are property of the respective right holders.

This user manual is protected by copyright. Any duplication or reprint, even in excerpts, is only permitted with the written consent of the Lehmannaudio Vertriebs GmbH. This also applies to the pictures and graphic works used.



When properly installed in line with this handbook, this product complies with the following European directives:

Low-Voltage Directive 2006/95/EG: EN 60065

EMV Directive (electromagnetic compatibility) 2004/108/EG:
 EN 55103-1:2009, EN 55103-2:2009

The product has been manufactured in compliance with the directive 2002/95/EG.



WEEE no.

DE 40695871

WEEE Disposal of waste electronic equipment

The crossed-out trash bin is the EC symbol for the separate disposal of waste electronic equipment. The Black Cube/Black Cube SE contains electric and electronic components which, after disposal of the device, will either be reused or salvaged and recycled. According to the directive 2003/108/EG it must therefore not be disposed of together with household waste. In case of disposal please take the junk device back your dealer or request further information there.

The Lehmannaudio Vertriebs GmbH is listed in the WEEE registry.



Norbert Lehmann, managing director

Cologne, January 30, 2018

Table des matières

- 55 | Avant-propos
- 56 | Consignes de sécurité
- 61 | Installation
- 63 | Description des fonctions
- 66 | Mise en service
- 67 | Réglages courants
- 68 | Experts – Remarques
- 70 | Conseils pour une optimisation du son
- 71 | Caractéristiques techniques
- 72 | Dépannage
- 76 | Mentions légales

Veillez lire avec attention la notice d'utilisation du Black Cube / Black Cube SE, même si vous avez déjà utilisé un amplificateur phono d'un autre fabricant, et la garder à proximité de l'appareil pour vous y référer ultérieurement.

LA Lehmannaudio®

Lehmannaudio Vertriebs GmbH

Waltherstr. 49 – 51

51069 Köln (Allemagne)

Tél.: +49 221 – 29 49 33 20

Fax: +49 221 – 29 49 33 19

info@lehmannaudio.com

www.lehmannaudio.com

www.facebook.com/lehmannaudio

www.twitter.com/lehmannaudio

Avant-propos

FR

Cher client,

Merci de la confiance que vous nous témoignez en achetant le Black Cube ou le Black Cube SE. Ces amplificateurs phono fabriqués avec le plus grand soin peuvent être branchés sur des platines dotées de systèmes MM ou MC.

Tous nos produits sont développés et fabriqués uniquement en Allemagne. Depuis la création de l'entreprise en 1988, nous nous vouons à la conception d'appareils de qualité supérieure restituant le son d'origine et fabriqués dans l'amour du détail. Grâce aux meilleurs composants existant et à une conception de circuits sophistiquée, nous pouvons garantir un plaisir audio d'un niveau exceptionnel. À tous points de vue, le Black Cube et le Black Cube SE sont clairement supérieurs aux produits de masse industriels. Il répondent aux exigences les plus élevées en matière de restitution musicale fidèle de vos disques.

Vous trouverez de plus amples informations dans cette notice d'utilisation ainsi que sur notre site Internet www.lehmannaudio.com.

Ouvrez une nouvelle dimension à vos disques préférés et vivez à nouveau le plaisir de la musique analogique débordante de passion.

Norbert Lehmann

Directeur

Consignes de sécurité importantes

FR

Des mises en garde hiérarchisées sont utilisées dans cette notice. Elles apparaissent en caractère gras et sont marquées et accompagnées d'un symbole (panneau d'avertissement) dans le texte.

Les mises en gardes sont classées selon la hiérarchie suivante :

- 1. AVERTISSEMENT !**
- 2. ATTENTION !**
- 3. REMARQUE !**



Ces symboles renvoient à des remarques importantes concernant l'utilisation et la maintenance dans la documentation associée. Veuillez lire attentivement ces instructions d'utilisation.



Ce symbole indique la présence d'une tension dangereuse non isolée à l'intérieur de l'appareil et un danger de mort par choc électrique.



Ce symbole indique une informations complémentaires dans la notice d'utilisation. Vous trouverez ici de plus amples informations, recommandations et conseils concernant l'utilisation du produit.



ATTENTION !

Veuillez lire toutes les consignes de sécurité et d'utilisation avant la mise en service de l'appareil.

FR

Conservation

Conservez les consignes de sécurité et d'utilisation pour une consultation ultérieure.

Avertissement

Respectez l'ensemble des avertissements qui sont imprimés sur l'appareil ou présents dans la notice d'utilisation.

Consignes d'utilisation

Respectez l'ensemble des consignes d'utilisation.

Chaleur

L'appareil ne doit pas être posé à proximité d'une source de chaleur, comme un radiateur, un accumulateur de chaleur, un four ou d'autres appareils calorifiques (amplificateur).

Ventilation

Ne pas couvrir les fentes de ventilation sur l'appareil et, en cas d'installation dans un rack, s'assurer que la ventilation est suffisante. Lors de l'installation de l'appareil, respecter les consignes du fabricant.

Eau et humidité

Ne pas exposer l'appareil à la pluie et ne pas l'utiliser à proximité d'eau (baignoire, piscine, etc.) ou dans un environnement avec une humidité de l'air importante (condensation).

Pénétration de liquides

Assurez-vous qu'aucune goutte ni éclaboussure ne pénètre dans l'appareil. Ne jamais placer d'objet rempli d'eau, comme un vase ou un verre, sur l'appareil.

Alimentation électrique

N'utilisez l'appareil qu'avec les tensions de secteur indiquées sur l'étiquette de l'appareil ou dans la notice d'utilisation. Si vous avez des doutes concernant la tension de secteur dont vous disposez, contactez votre compagnie d'électricité.



ATTENTION !

Ne brancher l'appareil que sur des prises secteur avec une borne de mise à la terre et une polarité adaptée. Ne jamais désactiver la borne de mise à la terre sur le câble de raccordement au réseau fourni. Si le connecteur du câble fourni n'est pas adapté à votre prise secteur, contactez un électricien.

Protection du câble secteur

Protéger le câble d'alimentation de façon à ce qu'il ne soit pas piétiné, ni pincé, notamment au niveau de la prise de l'appareil, d'une éventuelle rallonge et de la sortie de câble sur l'appareil.

Bloc secteur

Utilisez uniquement le bloc secteur livré avec l'appareil.

Orage

Débrancher la prise pour protéger l'appareil contre la foudre et une surtension.

Surcharge électrique

Ne jamais dépasser le courant de charge maximal pour les prises, les câbles

d'extension ou un boîtier de dérivation intégré. Une surcharge pourrait être à l'origine d'un incendie.

Source d'incendie

Ne poser aucun objet pouvant être une source d'incendie sur l'appareil, comme une bougie allumée.

Accessoires

Utiliser uniquement avec l'appareil des accessoires/extensions prévus à cet effet par le fabricant.

Montage

Utiliser l'appareil dans une position sûre et plane sur une table, un chariot ou un trépied prévu à cet effet. Éviter que l'appareil ne tombe pour éviter toute blessure corporelle ou tout dommage sur l'appareil. Lors du montage de l'appareil, s'assurer que la prise est facile d'accès.

Nettoyage

Nettoyer l'appareil à l'aide d'un chiffon sec uniquement.

Non-utilisation

En cas de non-utilisation prolongée de l'appareil, débrancher celui-ci du réseau électrique.

Service

Tous les travaux de service et les réparations doivent être effectués par un technicien du service après-vente agréé.

Les travaux de service sont indispensables dès que l'appareil est endommagé de quelque façon que ce soit, par exemple lorsque

- le câble secteur ou la prise secteur est endommagé(e),
- du liquide ou un objet a pénétré dans l'appareil,
- l'appareil a été exposé à la pluie ou l'humidité
- ou lorsqu'il ne fonctionne pas correctement ou est tombé.

Pièces détachées

Lors des réparations, seules des pièces détachées spécifiées et agréées par le fabricant doivent être utilisées.

Installation

Ce chapitre vous fournira de plus amples renseignements concernant les branchements, les éléments de commande ainsi que les possibilités d'utilisation de votre amplificateur phono Lehmannaudio Black Cube / Black Cube SE.

1 | Déballage

Après avoir déballé le Black Cube / Black Cube SE, vérifier qu'il n'a pas été endommagé pendant le transport. Si des dommages sont visibles, ne pas raccorder l'appareil à l'alimentation électrique. Dans ce cas, contactez immédiatement votre revendeur.

La livraison comprend les composants suivants :

- Black Cube
- Alimentation (Black Cube) ou alimentation PWX (Black Cube SE)
- Câble d'alimentation
- Notice d'utilisation
- Clé Allen (2 mm)
- 4 Jumpers (cavaliers)
- Bon de garantie



Remarque

Nous vous recommandons de conserver l'ensemble de l'emballage pour un éventuel renvoi ultérieur de l'appareil. Cela permet d'éviter les dommages liés au transport. Ne jamais utiliser de chips en mousse ou d'autres matériaux d'emballage. Pendant le transport, l'appareil est secoué et descend alors au fond de l'emballage et peut être endommagé !

Si vous ne disposez plus de l'emballage d'origine, utilisez plutôt un film bulle pour envelopper l'appareil. Emballer ensuite l'ensemble dans un carton solide.

2 | Mise en place

Placez toujours le Black Cube / Black Cube SE sur une surface stable. Les dimensions compactes et le faible poids permettent de placer le Black Cube / Black Cube SE directement à côté de la platine.

3 | Branchement

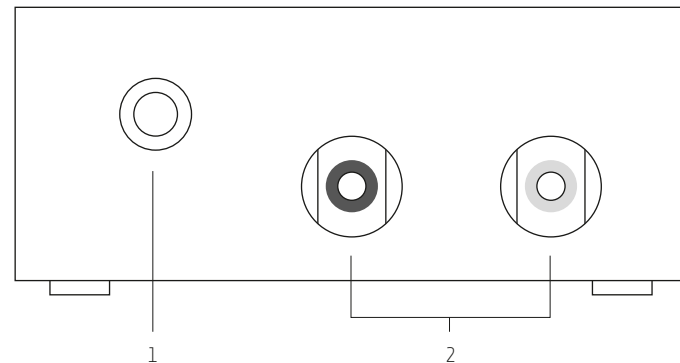
Vérifiez si l'adaptateur secteur livré est bien adapté au branchement au réseau électrique disponible dans votre pays. Vous trouverez sur l'adaptateur des informations concernant la tension secteur prévue pour l'appareil. Branchez maintenant le Black Cube / Black Cube SE sur le réseau électrique à l'aide du bloc secteur externe et du raccord situé au dos de l'appareil.

Observez les consignes de sécurité à partir de la page 56 !

Description du fonctionnement

Ce chapitre comprend des informations concernant les raccordements, les éléments de contrôle ainsi que les possibilités d'utilisation de votre amplificateur phono Black Cube / Black Cube SE de Lehmannaudio.

Entrée



1 | Borne polaire de terre (GND)

Si votre platine dispose d'une ligne de mise à la terre séparée, veuillez la brancher. La borne polaire permet le raccordement au choix de fil, toron, extrémités de câbles ouverts, cosse câble ou fiche banane de 4 mm.

2 | Prises d'entrée (IN)

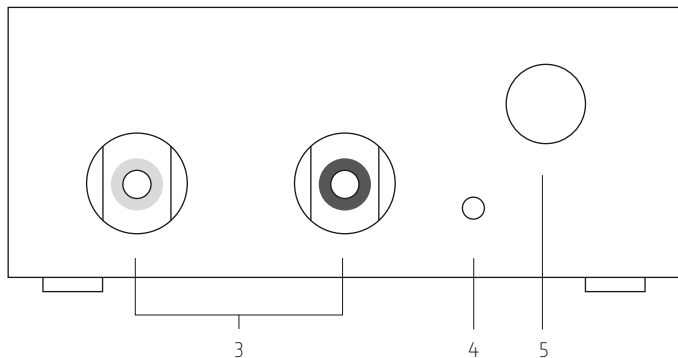
Veuillez brancher les câbles de votre platine dans ces prises. La prise gauche (noire) est prévue pour le canal gauche, la prise droite (rouge) pour le canal droit. Veuillez veiller au branchement correct des canaux.

Description du fonctionnement

FR

FR

Sortie



3 | Prises de sortie (OUT)

Sortie de haut niveau réglé RIAA Veuillez brancher ici les câbles qui mènent soit à l'entrée d'un amplificateur haut niveau suivant (les entrées haut niveau portent des désignations telles que « Line », « AUX », « CD », « Tuner » etc.) ou directement à un étage final avec une possibilité de régler le volume. Veuillez veiller ici aussi au branchement correct des câbles en fonction des canaux. Les câbles appartenant respectivement ensemble sont alignés sur une ligne en considérant l'appareil du haut.



ATTENTION !

Ne branchez jamais la sortie du Black Cube / Black Cube SE sur l'entrée phono d'un autre appareil. Ceci peut entraîner une détérioration du niveau phono ou du haut-parleur.

4 | Indicateur de fonctionnement (LED)

Si la LED est allumée, le Black Cube / Black Cube SE est prêt à fonctionner. L'appareil n'est pas doté d'un interrupteur d'alimentation.

5 | Passe-câble pour l'alimentation externe (Black Cube) / alimentation PWX (Black Cube SE)

Le connecteur Neutrik XLR à quatre pôles se branche sur l'alimentation fournie. Veuillez ne jamais connecter ou déconnecter ce câble en cours d'utilisation.

Le Black Cube peut se transformer en Black Cube SE via l'achat d'une alimentation PWX.

Mise en service

Pour la mise en service de votre Black Cube / Black Cube SE, vous avez besoin d'informations sur votre système de tête de lecture.

Deux indications sont importantes : s'agit-il d'un système MM (Moving Magnet) ou MC (Moving Coil) ? Quelle résistance de terminaison doit être choisie ? En règle générale, vous trouverez les deux indications sur l'emballage produit de votre système de tête de lecture. En cas de doute, veuillez demander les valeurs recommandées à votre revendeur. Il vous aidera volontiers à choisir le bon réglage de votre Black Cube / Black Cube SE.

Dès que vous disposez des informations correspondantes, procédez de la manière suivante :

- 1 | Réglez le **volume de votre installation sur minimum** ou bien éteignez complètement votre amplificateur.
- 2 | Branchez **l'alimentation**.
- 3 | Réglez **l'amplification pour votre système de tête de lecture (MM / MC)** dans le Black Cube / Black Cube SE. Le réglage doit être effectué de manière identique pour les deux canaux et se fait avec **l'interrupteur DIP situé en dessous de l'appareil** et avec les **Gain-Jumpers à l'intérieur de l'appareil**. Vous trouverez les réglages d'amplification usuelles pour les différents types de têtes de lecture sur les pages suivantes. En état de livraison, les Gain-Jumpers sont équipés.
- 4 | Réglez la **résistance de terminaison** dans le Black Cube / Black Cube SE. Le réglage doit être effectué de manière identique pour les deux canaux et se fait à l'aide de **l'impédance sur mesure à l'intérieur et de l'interrupteur DIP sur le dessous de l'appareil**. Vous trouverez de plus amples informations en page 68.
- 5 | Branchez la **platine sur l'entrée** du Black Cube / Black Cube SE.
- 6 | Reliez la sortie du Black Cube / Black Cube SE avec une **entrée Ligne de l'amplificateur suivant**. Afin d'exclure le plus possible des pertes de ligne, la longueur du câble de signal doit être courte.

Réglages courants

Vous trouverez ci-dessous les configurations de l'interrupteur / Gain-Jumper pour quelques systèmes. Veuillez tenir compte du fait que dans tous les cas les deux canaux doivent présenter le même réglage.

Système	Interrupteur	Gain-Jumper
MM		X
MM High Output		–
MC 47 kohm		X
MC 47 kohm Mid Output		–
MC 1 kohm		X
MC 1 kohm Mid Output		–
MC 100 ohm		X
MC 100 ohm Mid Output		–
MC impédance de référence		X
MC impédance de référence Mid Output		–

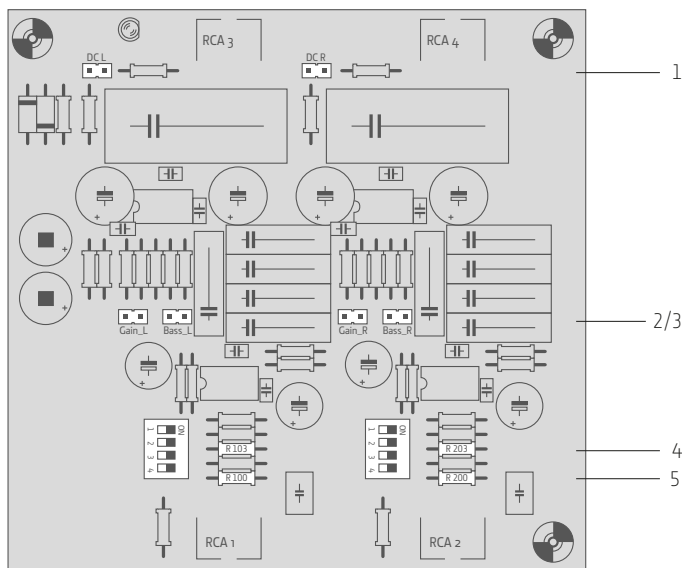
X = Jumper équipé (état de livraison)

Experts – Remarques

Le Black Cube / Black Cube SE peut être adapté à pratiquement tous les systèmes disponibles sur le marché.

Les possibilités de réglage se trouvent à l'exception de l'interrupteur DIP à l'intérieur de l'appareil et ne doivent être effectuées que par des experts. Une clé Allen pour ouvrir le boîtier et des Jumpers pour la modification de l'amplification sont joints à l'appareil.

Vue intérieure



1 | DC 1 / DC 2

Avec ces Jumpers, les condensateurs de sortie MKP sont shuntés et ne se trouvent plus dans la voie de signal. Ces Jumpers ne sont pas activés à la livraison.



ATTENTION !

En cas de condensateurs de sortie shuntés, une tension continue risque de se trouver aux sorties. Avant d'activer éventuellement ce Jumper, il convient de veiller à ce que le niveau d'entrée suivant dispose d'un filtre d'entrée de tension continue, puisque la tension continue peut entraîner des dommages sur les hauts parleurs. En cas de doute, faites contrôler votre installation par un revendeur.

2 | Gain_L / Gain_R

Ces Jumpers changent l'amplification de +10 dB et sont activés à la livraison. Avec les interrupteurs DIP accessibles sous l'appareil (respectivement N° 1), vous pouvez passer entre l'amplification 46 dB (MM) et 66 dB (MC). Si ces amplifications sont trop élevées, vous pouvez éliminer les Jumpers.

3 | Bass_L / Bass_R

Ces Jumpers activent le filtre Soft Bass Roll pour éviter le papillonnement de la membrane avec les disques vagues. La fréquence de base est de 50 Hz, la pente du filtre 6 dB / oct. Ces Jumpers ne sont pas activés à la livraison.

4 | R103/R203

Il y a ici des enfichages libres pour des impédances de référence pour l'activation via l'interrupteur DIP appartenant au canal (respectivement n° 3). Une impédance / capacité insérée ici est activée parallèlement à toutes les autres impédances / capacités activées par interrupteur ainsi qu'au 47 kohm / 100 pF.

5 | R100/R200

Il s'agit de prises enfichables pour câble permettant d'obtenir des impédances/capacités supplémentaires avec effets immédiats sans activation via un interrupteur. Une impédance/capacité équipée ici est activée simultanément avec les autres impédances/capacités activées par un interrupteur ainsi que le 47 kohm/100 pF.

Conseils pour une optimisation du son

FR

Le Black Cube / Black Cube SE ne peut être qu'aussi bon que le signal alimenté de la platine ou du système de tête de lecture. Comme il s'agit au niveau de la retransmission de disque d'un contact mécanique avec de nombreux facteurs d'influence importants, vous trouverez ici quelques conseils concernant l'optimisation du son. Pour des platines de qualité supérieure tout particulièrement, il est conseillé de consulter votre revendeur pour tout travail de service et de réglage incombant.

1 | L'ajustage de la géométrie du bras de lecture doit être dans tous les cas pris en charge par un spécialiste. En cas de réglages incorrects, les effets vont de problèmes sonores jusqu'à l'usure d'un seul côté et par là-même l'usure prématurée du système. Les bons revendeurs disposent d'appareils de mesure et de réglage. Ces derniers sont nettement plus précis que ceux joints actuellement aux systèmes de têtes de lecture.

2 | Pour les platines dotées d'une sous-base le **comportement aux vibrations** doit également être idéalement réglé par un spécialiste. Ici aussi, des améliorations sonores sont possibles.

3 | L'utilisation d'un **tapis de désolidarisation**, qui contribue à une meilleure désolidarisation mécanique entre platine et disque peut nettement améliorer le son.

4 | Une attention toute particulière doit également être portée au **matériau du câble ou à la confection** utilisé. Ceci est surtout valable pour le câblage système (Headshell), le câble de la tête de lecture au Black Cube / Black Cube SE et pour le câble allant au préamplificateur suivant.

Caractéristiques techniques

FR

	MM	MC
Sensibilité pour un niveau de sortie de 775 mV/0 dB (avec Gain-Jumpers activés)	3,8 mV/1 kHz	0,38 mV/1 kHz
Gain 1 kHz	46 dB	66 dB
Niveau d'entrée maximum	45 mV	4,5 mV
Rapport signal/bruit (moyenne quadratique non mesurée)	71 dB	63 dB
Gain	36 dB, 46 dB, 56 dB, 66 dB	
Espacement entre canaux	> 85 dB à 10 kHz	
Impédance d'entrée	47 kohm, 1 kohm, 100 ohm • 1 x impédance de référence • 1 x connecteur câble	
Impédance de sortie	47 ohm	
Capacité d'entrée	100 pF	
Déséquilibre des canaux	typ. 0,5 dB	
Filtre passe-bas	50 Hz, 6 dB/oct.	
Consommation électrique	< 3 W	
Tension secteur	• Europe : 240 V AC • Canada : 120 V AC	
Fusible	• Europe : pas de fusible (Black Cube), 250 mA T (Black Cube SE) • Canada : pas de fusible (Black Cube), 500 mA T (Black Cube SE)	

Dimensions l x p x h	<ul style="list-style-type: none"> • Partie audio : 113 mm x 108 mm x 45 mm • Alimentation (Black Cube) : 70 mm x 115 mm x 55 mm • Alimentation PWX (Black Cube SE) : 92 mm x 232 mm x 45 mm
Poids	<ul style="list-style-type: none"> • Partie audio avec câble vers alimentation : 0,4 kg net • Alimentation (Black Cube) : 0,3 kg net • Alimentation PWX (Black Cube SE) : 1,0 kg net

Dépannage

Erreur	Cause	Remède
La LED de service ne s'allume pas.	Le câble d'alimentation n'est pas branché.	Branchez le câble d'alimentation dans la prise.
	L'alimentation n'est pas connectée à l'appareil.	Raccordez l'alimentation à l'appareil.
Aucun signal.	Le câble d'alimentation n'est pas branché.	Branchez le câble d'alimentation dans la prise.
	L'alimentation n'est pas connectée à l'appareil.	Raccordez l'alimentation à l'appareil.
	Entrée et sortie sur le Black Cube / Black Cube SE ne sont pas correctement branchées.	Vérifiez si le câble venant de la platine à disques et le câble menant à l'amplificateur sont branchés à l'entrée et à la sortie du Black Cube / Black Cube SE et branchez les correctement si nécessaire.

Aucun signal.	Un canal d'entrée incorrect est sélectionné sur l'amplificateur suivant.	Choisissez le bon canal d'entrée.
Signal sur un canal seulement.	Les interrupteurs DIP sont réglés de manière irrégulière ou un seul Gain-Jumper est branché.	Vérifiez la position des deux interrupteurs DIP ou des Gain-Jumpers. Assurez-vous que les réglages des deux canaux sont identiques.
	Un câble de raccordement a un faux contact, n'est pas bien branché dans les prises ou est défectueux.	Vérifiez les câbles de raccordement au niveau d'un faux contact d'un enfichage desserré et d'un défaut et remplacez-le si nécessaire. Éventualités possibles : câble système (Headshell), câble de la tête de lecture de la platine à disque vers le Black Cube / Black Cube SE et câble Line du Black Cube / Black Cube SE à l'entrée suivante.
	Le niveau d'entrée suivant présente un défaut.	Clarification par un branchement sur différentes entrées Line.
Les canaux gauche et droit sont inversés.	Une inversion de câble se trouve dans le câble de branchement.	Vérifiez le câble de branchement et échangez le cas échéant les canaux. Éventualités possibles : câble système (Headshell), câble de la tête de lecture de la platine à disque vers le Black Cube / Black Cube SE et câble Line du Black Cube / Black Cube SE à l'entrée suivante.
Le signal est trop faible.	L'ajustement entre le système de tête de lecture et le Black Cube / Black Cube SE n'est pas idéal.	Augmentez le facteur d'amplification conformément au mode d'emploi à l'aide de l'interrupteur DIP sous le Black Cube / Black Cube SE et/ou activez les Gain-Jumpers.

Le signal est trop faible.	La résistance d'entrée sur le Black Cube / Black Cube SE est trop faible.	Sélectionnez une résistance d'entrée de manière à ce qu'elle soit au moins supérieur d'un facteur 10 à l'impédance système de la tête de lecture.
Le signal est faible et sourd.	L'impédance MC est sélectionnée pour le système MM.	Désactivez toutes les impédances MC avec l'interrupteur DIP. Veillez également à une impédance sur mesure éventuellement insérée.
Le signal est déformé.	L'amplification dans le Black Cube / Black Cube SE est réglée trop haut.	Réduisez le facteur d'amplification conformément au mode d'emploi à l'aide de l'interrupteur DIP sous le Black Cube / Black Cube SE et/ou désactivez les Gain-Jumpers.
	La sortie du Black Cube / Black Cube SE est raccordée à l'entrée phono suivante.	Branchez la sortie du Black Cube / Black Cube SE à une entrée Line à l'amplificateur suivant.
Le signal a un son creux sans véritable grave et sans véritable détection.	Le système de tête de lecture est branché avec des phases inversées.	Branchez le câble système correctement.
On entend un bourdonnement.	La mise à la terre de la tête de lecture n'est pas raccordée au Black Cube / Black Cube SE.	Branchez la mise à la terre de la tête de lecture au Black Cube / Black Cube SE.
	Plusieurs appareils branchés causent un ronflement.	Établissez une mise à la terre correcte. Si nécessaire, faite appel à un électricien.

On entend un bourdonnement.	Il y a une interférence causée par un autre consommateur électrique.	Débranchez tous les appareils raccordés au même circuit électrique un à un du réseau et vérifiez le résultat. Laissez l'appareil perturbateur éteint durant l'écoute de la musique ou bien branchez-le au circuit électrique avec un filtre réseau.
	Le transformateur réseau d'un appareil placé à proximité perturbe l'entrée.	Mettez une distance suffisante entre les appareils.
Des perturbations radio s'entendent en arrière-plan.	La mise à la terre de la tête de lecture n'est pas raccordée au Black Cube / Black Cube SE.	Branchez la mise à la terre de la tête de lecture au Black Cube / Black Cube SE.
	La capacité d'entrée standard (100 pF) pour MC est trop faible.	Laissez le revendeur doter l'enfichage de l'impédance sur mesure d'une capacité supplémentaire.

Si cette partie Dépannage ne vous permet pas de résoudre un problème, veuillez contacter le revendeur qui vous a fourni l'appareil. Si ce n'est pas possible, vous pourrez trouver facilement un revendeur agréé près de chez vous grâce à notre recherche de revendeur sur www.lehmannaudio.com/service/dealers.

Mentions légales

FR

Garantie

Chaque appareil de Lehmannaudio est vérifié individuellement et fait l'objet d'un contrôle fonctionnel complet. L'utilisation de composants de grande qualité uniquement permet de proposer une garantie de deux ans.

La preuve d'achat/le reçu servent de certificat de garantie. Un formulaire d'enregistrement est joint au produit ou peut être téléchargé sur www.lehmannaudio.com/service/register.html. Tous dommages résultant d'un montage ou d'une manipulation non conforme ne sont pas pris en charge par la garantie et leur réparation est payante. Les droits d'indemnisation sous quelque forme que ce soit, en particulier pour les dommages consécutifs, sont exclus. Toute responsabilité supérieure à la valeur du produit est également exclue.

Les conditions générales de vente qui s'appliquent sont celle de la société :



Lehmannaudio Vertriebs GmbH
 Waltherstr. 49 – 51
 51069 Köln (Allemagne)
 Tél.: +49 221 – 29 49 33 20
 Fax: +49 221 – 29 49 33 19
www.lehmannaudio.com

État de la technique

Afin de garantir une qualité sonore exceptionnelle, les appareils de Lehmannaudio sont conçus selon les derniers états de la technique. Les modifications de la construction et des circuits indispensables sont effectuées sans avis préalable. Les caractéristiques techniques et l'aspect extérieur peuvent ainsi diverger de la présente notice d'utilisation.

Service

Les éventuels travaux de maintenance ou de réparation doivent impérativement être réalisés par un personnel spécialisé qualifié. Si vous souhaitez renvoyer l'appareil, veuillez contacter directement Lehmannaudio pour discuter de la démarche à suivre.

Pour les travaux d'entretien sur le Black Cube / Black Cube SE, veuillez contacter directement le revendeur chez qui vous avez acheté l'appareil. Si ce n'est pas possible, vous pourrez trouver facilement un revendeur agréé près de chez vous grâce à notre recherche de revendeur sur www.lehmannaudio.com/service/dealers.

Il est interdit d'effectuer des modifications de quelque type que ce soit sur l'appareil. En cas de non-respect, la conformité CE de l'appareil et le certificat de garantie de l'appareil deviennent caducs.

Marque déposée et droit d'auteur

Tous les noms de marque utilisés dans cette notice d'utilisation et les marques déposées sont la propriété de leur propriétaire respectif.

Cette notice d'utilisation est protégée par le droit d'auteur. Toute reproduction ou impression, complète ou partielle, est uniquement autorisée avec l'accord écrit de Lehmannaudio Vertriebs GmbH. Cela vaut également pour les images et les graphiques utilisés.



Ce produit est conforme aux directives européennes suivantes s'il a été installé conformément à cette notice.

Directive basse tension 2006/95/CE : EN 60065

Directive CEM (compatibilité électromagnétique) 2004/108/CE :
 EN 55103-1:2009, EN 55103-2:2009

FR

RoHS Conformité RoHS

Le produit a été conçu conformément à la directive 2002/95/CE.



N° DEEE

DE 40695871

Élimination des appareils usagés DEEE

La poubelle barrée est le symbole CE pour l'élimination séparée de la ferraille électronique. Le Black Cube / Black Cube SE contient des composants électriques et électroniques pouvant être réutilisés ou recyclés après élimination de l'appareil grâce à une valorisation matérielle. Conformément à la directive 2003/108/CE, il ne doit pas être éliminé avec les déchets domestiques. Dans le cadre de l'élimination, apportez l'appareil à éliminer chez votre revendeur ou renseignez-vous auprès de lui.

Lehmannaudio Vertriebs GmbH est enregistré au registre des appareils électroniques usagés.

Norbert Lehmann, directeur

Cologne, 30/01/2018

Contenido

- 81 | Introducción
- 82 | Instrucciones de seguridad
- 87 | Instalación
- 89 | Descripción del funcionamiento
- 92 | Puesta en funcionamiento
- 93 | Ajustes usuales
- 94 | Instrucciones para expertos
- 96 | Consejos para optimizar el sonido
- 97 | Especificaciones técnicas
- 98 | Resolución de problemas
- 102 | Aviso legal

Aunque ya haya utilizado un amplificador phono de otro fabricante, lea atentamente el manual de instrucciones antes de poner en marcha el Black Cube/Black Cube SE y consérvelo en un lugar próximo al equipo para usos futuros.

LA **Lehmannaudio**[®]

Lehmannaudio Vertriebs GmbH

Waltherstr. 49 – 51

51069 Köln (Alemania)

Tel.: +49 221 – 29 49 33 20

Fax: +49 221 – 29 49 33 19

info@lehmannaudio.com

www.lehmannaudio.com

www.facebook.com/lehmannaudio

www.twitter.com/lehmannaudio

Introducción

Estimado cliente:

Muchas gracias por su confianza depositada en nosotros al comprar el Black Cube o Black Cube SE. Los preamplificadores de tocadiscos de Lehmannaudio son equipos elaborados con sumo cuidado para la conexión a tocadiscos comerciales con sistemas MM o MC.

Todos nuestros productos son desarrollados y fabricados exclusivamente en Alemania. Desde la fundación de la empresa en el año 1988, Lehmannaudio produce equipos de gran calidad, que están siempre comprometidos con el sonido original y están fabricados cuidando cada detalle con pasión. Al utilizar los mejores componentes y gracias al sofisticado diseño de los circuitos, podemos garantizar una experiencia extraordinaria para sus oídos. El Black Cube y, mucho más, el Black Cube SE son, en todos los aspectos superiores a cualquier otro producto industrial de masas. Los equipos también cumplen las máximas exigencias en cuanto a reproducción detallada y emocionante de sus discos vinilo.

Encontrará más información en el presente manual de instrucciones y en nuestra página web www.lehmannaudio.com.

Deje que sus discos vinilo favoritos luzcan ahora de forma inédita y experimente el placer de volver a escuchar música en modo analógico.

Norbert Lehmann
Director gerente

Indicaciones de seguridad importantes

ES En este manual se utilizan advertencias clasificadas jerárquicamente. Las advertencias están impresas en negrita y además están marcadas y señaladas con un símbolo (señal de aviso) en el texto.

Las advertencias están clasificadas jerárquicamente siguiendo el siguiente orden:

1. **¡ADVERTENCIA!**
2. **¡ATENCIÓN!**
3. **¡INDICACIÓN!**



Este símbolo remite a instrucciones de mantenimiento y de uso importantes contenidas en la documentación adjunta. Consulte el manual de instrucciones.



Este símbolo advierte de la presencia de tensión peligrosa no aislada en el interior del equipo y del riesgo de electrocución.



Este símbolo remite a información adicional contenida en el manual de instrucciones. Aquí encontrará información complementaria, recomendaciones y consejos para utilizar el producto.



¡ATENCIÓN!

Lea las indicaciones de seguridad y las instrucciones de uso antes de poner en marcha el equipo.

Conservación

Conserve las instrucciones de uso y las indicaciones de seguridad para futuras consultas.

Advertencias

Observe todas las advertencias impresas en el equipo o contenidas en el manual de instrucciones.

Instrucciones de uso

Siga todas las instrucciones de uso.

Calor

El equipo no debe colocarse cerca de fuentes de calor, como radiadores, acumuladores térmicos, hornos u otros equipos que generan calor (p. ej., amplificadores).

Ventilación

No cubra ninguna ranura de ventilación del equipo y, en caso de instalación en un rack, procure que haya una ventilación suficiente. Siga siempre las indicaciones del fabricante durante la instalación del equipo.

Agua y humedad

No exponga el equipo a la lluvia ni lo utilice cerca del agua (bañera, piscinas, etc.) o en lugares con una alta humedad del aire (condensación).

Penetración de líquidos

Asegúrese de que no pueden entrar salpicaduras o gotas de agua en el interior del equipo. No ponga objetos que contengan líquidos (como jarrones o recipientes de bebidas) encima del equipo.

Suministro de corriente

Ponga en marcha el equipo solo con las tensiones de alimentación indicadas en la etiqueta del equipo o en el manual de instrucciones. En caso de dudas acerca de la tensión de alimentación en su área, consulte a su empresa de suministro de corriente local.



¡ATENCIÓN!

Utilice el equipo solo en una toma de red con la conexión de conductor protector y la polaridad correcta. No desactive la función de la conexión del conductor protector del cable de conexión a red suministrado. Si la clavija de enchufe del cable suministrado no se adapta a su toma de red, póngase en contacto con su electricista.

Protección del cable de red

Proteja el cable eléctrico de pisadas y aplastamiento, sobre todo el conector del equipo, la prolongación y la salida del cable del equipo.

Adaptador de corriente

Emplee exclusivamente el adaptador de corriente incluido.

Tormenta

Desenchufe el equipo para protegerlo contra rayos y sobretensión.

Sobrecarga eléctrica

No supere la corriente de carga máxima de enchufes, cables de prolongación o distribuidores de corriente incorporados. La sobrecarga puede provocar incendios.

Fuentes de fuego

No coloque fuentes de fuego abierto (p. ej., velas encendidas) sobre el equipo.

Accesorios

Utilice con el equipo únicamente los accesorios/extensiones aprobados por el fabricante para este fin.

Montaje

Utilice el equipo únicamente en una posición segura y plana sobre una mesa, plataforma móvil o trípode previsto para tal fin. Evite que se caiga el equipo, ya que esto puede provocar lesiones personales y daños en el equipo. Durante la instalación del equipo, procure que se pueda acceder fácilmente al enchufe.

Limpieza

Para limpiar el equipo, utilice únicamente un paño seco.

No utilización

Si no va a utilizar el equipo durante un período de tiempo prolongado, desenchufe el equipo.

Servicio

Todos los trabajos de servicio y reparaciones deben ser llevados a cabo por un técnico de servicio autorizado.

Los trabajos de servicio son necesarios cuando el equipo está dañado de cualquier manera, p. ej., cuando

- el cable de red o el enchufe están dañados,
- ha entrado líquido o un objeto en el equipo,
- el equipo ha estado expuesto a la lluvia o a la humedad
- o si no funciona con normalidad o después de caerse.

Piezas de repuesto

Utilizar únicamente piezas de repuesto aprobadas y especificadas por el fabricante para las reparaciones.

Instalación

En este capítulo descubrirá más acerca de las conexiones, de los controles, así como las posibilidades de uso de su amplificador phono Black Cube/Black Cube SE de Lehmannaudio.

1 | Desempaquetar

Después de desempaquetar el Blacke Cube/Black Cube SE, compruebe si existen daños de transporte. Si detecta daños visibles, no conecte el equipo al suministro de electricidad bajo ningún concepto. En este caso, póngase en contacto inmediatamente con su vendedor.

El envío contiene los siguientes componentes:

- Aparato Black Cube/Black Cube SE
- Llave Allen (2 mm)
- Adaptador de corriente con el adaptador eléctrico adecuado
- 4 Jumper
- Manual de instrucciones
- Hoja de garantía



Indicación

Le recomendamos que conserve el embalaje completo para un envío posterior. De esta manera evitará daños de transporte. En ningún caso utilice chips esponjados o materiales de embalaje similares, ya que durante el transporte, el equipo «se sacude fuertemente» hasta la base y podría dañarse.

Si ya no dispone del embalaje original, utilice film alveolar para enrollar el equipo generosamente. A continuación, embale el resto en una caja sólida.

2 | Instalación

Coloque el Black Cube/Black Cube SE sobre una base estable. Gracias a sus dimensiones compactas y su escaso peso puede instalar el Black Cube/Black Cube SE directamente junto a la unidad de disco.

3 | Conexión

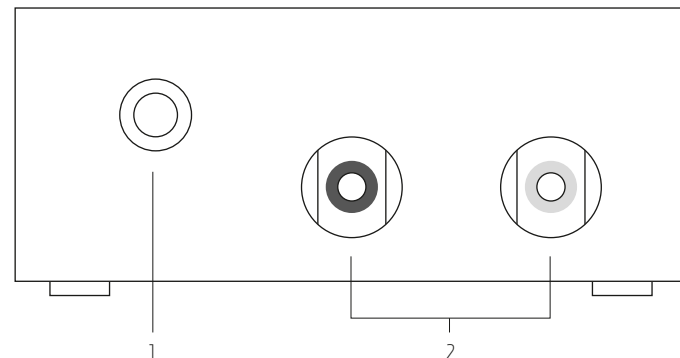
Compruebe que el adaptador de red enviado es adecuado para la conexión a la red eléctrica existente en su país. En el adaptador encontrará la información relativa a la tensión de la red prevista para el aparato. Conecte el Black Cube/Black Cube SE con la red eléctrica usando solo el adaptador de corriente externo y la conexión de la parte trasera del aparato.

¡Preste atención a las instrucciones de seguridad de la página 82!

Características funcionales

En este capítulo aprenderá más sobre las conexiones, elementos de control y las posibilidades de aplicación de su amplificador phono Lehmannaudio Black Cube/Black Cube SE.

Entrada



1 | Borne de toma de tierra (GND)

Si su tocadiscos dispone de una toma de tierra separada, por favor, conéctelo aquí. El borne permite la conexión opcional de alambre, hilo de Litz, finales de cable abiertos, terminal de cable o clavijas tipo banana de 4 mm.

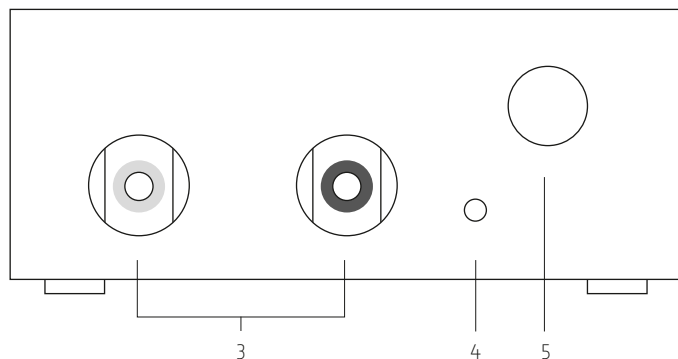
2 | Enchufes de entrada (IN)

Por favor, conecte el cable que viene de su tocadiscos en este enchufe. El enchufe izquierdo (negro) está previsto para el canal izquierdo, el enchufe derecho (rojo) está previsto para el canal derecho. Por favor, preste atención a la conexión correcta de los canales.

Características funcionales

ES

Salida



ES

3 | Enchufes de salida (OUT)

Salida de nivel alto con ecualización RIAA. Por favor, conecte aquí el cable que, o bien lleve a la entrada de un preamplificador de nivel alto siguiente (Las entradas para niveles altos tienen denominaciones como «Line», «Aux», «CD», «Turner», etc) o directamente a un amplificador final con posibilidad de regular el volumen. Por favor, preste atención también aquí a realizar correctamente la conexión del cable en el canal. Los canales respectivamente relacionados están ordenados en una línea al observar el aparato desde su parte superior.



¡ATENCIÓN!

Nunca conecte la salida del Black Cube/Black Cube SE con la entrada Phono de otro aparato. Esto podría producir un daño en el aparato de Phono o en el altavoz.

4 | Señal de funcionamiento (LED)

Si la señal LED está iluminada significa que el Black Cube/Black Cube SE está listo para funcionar. El aparato no dispone de interruptor de alimentación.

5 | Entrada de cable para la fuente de alimentación externa (Black Cube)/fuente de alimentación PWX (Black Cube SE)

El conector de cuatro pines Neutrik XLR se inserta en la fuente de alimentación suministrada. Nunca enchufe o desenchufe esta conexión durante el funcionamiento.

El Black Cube se puede transformar en el Black Cube SE comprando una fuente de alimentación PWX.

Puesta en funcionamiento

Para la puesta en funcionamiento de su Black Cube/Black Cube SE se necesita información acerca de su sistema de fonocaptación.


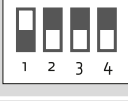

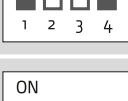
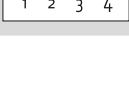
Para ello hay dos datos importantes: ¿se trata de un sistema MM (Moving Magnet) o de un sistema MC (Moving Coil)? ¿Qué resistencia de terminación se debe elegir? Por lo general, esos datos los puede encontrar en el embalaje de su sistema de fonocaptación. En caso de duda, por favor pregunte por los valores recomendados a su distribuidor especializado. Éste también le podrá ayudar a instalar correctamente su Black Cube/Black Cube SE.

Desde que disponga de la información adecuada, continúe tal y como sigue:

- 1 | Baje el **volumen de su equipo al mínimo** o desconecte su altavoz por completo.
- 2 | Conecte el **fuelle de alimentación**.
- 3 | Ajuste la **amplificación para su sistema de fonocaptación (MM/MC)** en el Black Cube/Black Cube SE. El ajuste debe realizarse de forma idéntica para ambos canales y se realiza sobre el **interruptor DIP que se encuentra en la parte inferior del aparato** y con el **Gain-Jumper del interior del aparato**. Los ajustes normales de las amplificaciones para los diferentes tipos de fonocaptadores se encuentran en la página siguiente. En el estado en que se entrega se encuentra equipado con Gain-Jumper.
- 4 | Ajuste la **resistencia de terminación** en el Black Cube/Black Cube SE. El ajuste debe realizarse de forma idéntica en ambos canales y se efectúa por medio de **los ajustes de impedancias en el interior y el interruptor DIP de la parte inferior del aparato**. Más información relativa a este tema la puede encontrar en la página 94.
- 5 | Conecte el **tocadiscos a la entrada** del Black Cube/Black Cube SE.
- 6 | Conecte la salida del Black Cube/Black Cube SE con una **entrada Line del siguiente amplificador**. Para evitar pérdidas de línea en su mayor parte, la longitud del cable de señal debe mantenerse corto.

Ajustes usuales

Abajo se detallan las configuraciones interruptor/Gain-Jumper para algunos sistemas. Por favor, preste atención a que en todo caso ambos canales tienen que tener los mismos ajustes.

Sistema	Interruptor	Gain-Jumper
MM		x
MM High Output		—
MC 47 kohm		x
MC 47 kohm Mid Output		—
MC 1 kohm		x
MC 1 kohm Mid Output		—
MC 100 ohm		x
MC 100 ohm Mid Output		—
MC Ajuste de impedancia		x
MC Ajuste de impedancia Mid Output		—

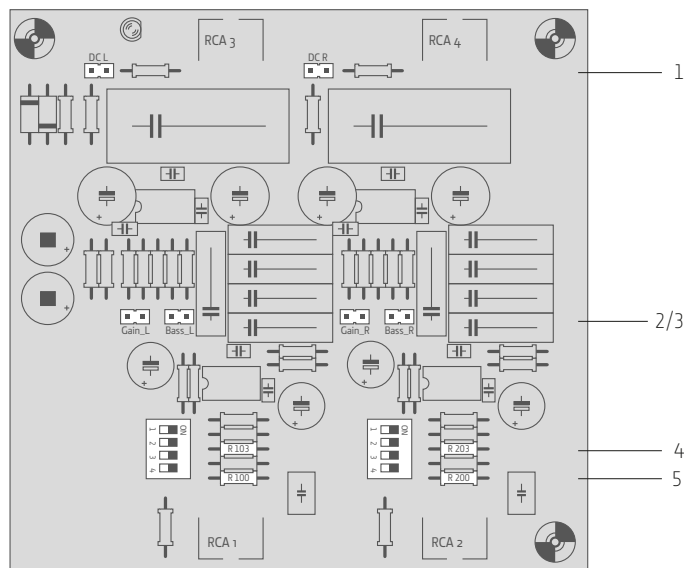
X= equipado con Jumper (en estado de envío)

Instrucciones para expertos

El Black Cube/Black Cube SE es compatible con prácticamente todos los sistemas que se pueden encontrar en el mercado.

Las opciones de ajuste se encuentran, con la excepción del interruptor DIP, en el interior del aparato y solo deben realizarse por expertos. Se encuentra incluida junto con el aparato una llave Allen para la apertura de la carcasa y del Jumper para realizar modificaciones en el amplificador.

Vista del interior



1 | DC 1/DC 2

Con estos Jumper se puentearán los condensadores de salida MKP y no se encontrarán más en el camino de la señal. Estos Jumper no se encuentran activados en la entrega.



¡ATENCIÓN!

Ante condensadores de salida puenteados puede existir voltaje continuo en la salida. Por ello, antes de la eventual activación de este Jumper debe asegurarse de que el siguiente paso de entrada dispone de un filtro ante la entrada de voltaje continuo, ya que el voltaje continuo puede provocar daños a los altavoces. En caso de duda deje que un distribuidor compruebe antes su equipo.

2 | Gain_L/Gain_R

Estos Jumper modifican la amplificación en +10 dB y están activados en la entrega. Con los interruptores DIP, accesibles bajo el aparato (en cada caso n.º 1), puede cambiar entre amplificación 46 dB (MM) y 66 dB (MC). En el caso de que esas amplificaciones sean muy fuertes, se pueden retirar los Jumper.

3 | Bass_L/Bass_R

Estos Jumper activan el filtro de bajo (Soft Rolloff Bass Filter) para evitar vibraciones en la membrana cuando el disco se encuentra detenido. La frecuencia central asciende a 50 Hz, la pendiente del filtro 6 dB/oct. Estos Jumper no se encuentran activados en la entrega.

4 | R103/R203

Aquí hay conexiones libres para ajustes de impedancias para la activación sobre el canal el correspondiente interruptor DIP (en cada caso n.º 3) Una impedancia/capacidad instalada aquí va a conectar de forma paralela a todas las demás impedancias/capacidades activadas por interruptor así como el 47 kohm/100pF.

5 | R100/R200

Aquí hay diferentes ranuras libres Hardwire para capacidades/impedancias adicionales con efecto inmediato sin activación adicional por medio de interruptores. La capacidad/impedancia aquí activada se conectará en paralelo con el resto de capacidades/impedancias activadas por medio de interruptor, así como con el 47k/100pF.

Consejos para optimizar el sonido

El Black Cube/Black Cube SE solo puede ser igual de bueno como lo es la señal de la que se alimenta y que proviene de la unidad de disco o del sistema de fonocaptación. Ya que la reproducción de discos de vinilo consiste en una lectura mecánica con muchos factores importantes que influyen en ella, le damos algunos consejos para la optimización del sonido. Especialmente cuando se trate de tocadiscos muy valiosos, debe consultar a su distribuidor para los trabajos de servicio e instalación que se vayan a realizar.

1 | El ajuste del sistema y de la geometría del brazo debe realizarse en todo caso por un especialista. Si se realiza mal la instalación, sus efectos pueden perjudicar al sonido y llegar a provocar un desgaste desequilibrado que conlleva un deterioro prematuro del sistema. Los buenos especialistas tienen aparatos especiales de medición y de instalación. Estos son exactamente iguales a aquellos que, en parte, se encuentran incluidos en los sistemas de fonocaptación.

2 | En tocadiscos con chasis inferior el **comportamiento vibracional** debe ser igualmente ajustado por un especialista. También aquí es posible realizar mejoras en el sonido.

3 | El empleo de una **esterilla de desacoplamiento** que aporta un mejor desacoplamiento mecánico entre el disco y el plato, puede continuar la mejora del sonido de manera notable.

4 | Especial valor debería ponerse también al **material del cableado, es decir, la fabricación del cableado**. Esto es válido sobre todo para el cableado del sistema (Headshell), el cable del brazo al Black Cube/Black Cube SE y para el cable que lleva al siguiente preamplificador.

Especificaciones técnicas

	MM	MC
Sensibilidad para nivel de salida 775 mV/o dB (con Gain-Jumper activados)	3,8 mV/1 kHz	0,38 mV/1 kHz
Ganancia 1 kHz	46 dB	66 dB
Nivel de entrada máximo	45 mV	4,5 mV
Relación señal/ruido (sin ponderación efectiva)	71 dB	63 dB
Ganancia	36 dB, 46 dB, 56 dB, 66 dB	
Separación de canales	> 85 dB a 10 kHz	
Impedancia de entrada	47 kohm, 1 kohm, 100 ohm • 1 x ajuste de impedancia • 1 x ranura Hardwire	
Impedancia de salida	47 ohm	
Capacidad de entrada	100 pF	
Desigualdad de canales	típ. 0,5 dB max.	
Filtro de bajo	50 Hz, 6 dB/oct.	
Consumo de potencia	< 3 W	
Tensión de red	• Europa: 240 V CA • México: 120 V CA	
Fusible	• Europa: sin fusible (Black Cube), 250 mA T (Black Cube SE) • México: sin fusible (Black Cube), 500 mA T (Black Cube SE)	

Dimensiones A x P x Alt.	<ul style="list-style-type: none"> • Componente de audio: 113 mm x 108 mm x 45 mm • Fuente de alimentación (Black Cube): 70 mm x 115 mm x 55 mm • Fuente de alimentación PWX (Black Cube SE): 92 mm x 232 mm x 45 mm
Peso	<ul style="list-style-type: none"> • Componente de audio incl. cable de fuente de alimentación: 0,4 kg netos • Fuente de alimentación (Black Cube): 0,3 kg netos • Fuente de alimentación PWX (Black Cube SE): 1,0 kg netos

Diagnóstico de errores

Error	Causa	Solución
El LED de funcionamiento no se enciende.	El cable de red no está enchufado.	Inserte el cable de red en el enchufe.
	La fuente de alimentación no está conectada con el equipo.	Conecte la fuente de alimentación con el equipo.
No hay señal.	El cable de red no está enchufado.	Inserte el cable de red en el enchufe.
	La fuente de alimentación no está conectada con el equipo.	Conecte la fuente de alimentación con el equipo.
	La entrada y la salida de Black Cube/Black Cube SE no están conectadas correctamente.	Compruebe si el cable que sale del tocadiscos está conectado en la entrada y que el cable que va al amplificador está conectado en la salida del Black Cube/Black Cube SE y, dado el caso, conéctelos correctamente.

No hay señal.	Se ha seleccionado un canal de entrada incorrecto en el amplificador siguiente.	Seleccione el canal de entrada correcto.
Solo hay señal en un canal.	El interruptor DIP no está ajustado de forma homogénea o solo hay conectado un Jumper de ganancia.	Compruebe la posición de los dos interruptores DIP o Gain-Jumper. Asegúrese de que el ajuste de los dos canales es el mismo.
	Uno de los cables de conexión tiene un contacto flojo, no se inserta correctamente en los zócalos de conexión o está defectuoso.	Compruebe si el cable de conexión tiene un contacto flojo, no está correctamente conectado o si está defectuoso. Dado el caso, reemplácelo. Los cables en cuestión son: El cable del sistema (Headshell), el cable de brazo de lectura de tocadiscos al Black Cube/Black Cube SE y el cable Line del Black Cube/Black Cube SE a la siguiente entrada.
El canal izquierdo y derecho están intercambiados.	El siguiente nivel de entrada tiene un defecto.	Se aclara mediante la conexión a diferentes entradas Line.
	Se han confundido los canales en el cable de conexión.	Compruebe el cable de conexión y, dado el caso, modifique los canales. Los cables en cuestión son: El cable del sistema (Headshell), el cable de brazo de lectura de tocadiscos al Black Cube/Black Cube SE y el cable Line del Black Cube/Black Cube SE a la siguiente entrada.
La señal es demasiado baja.	La adaptación entre el sistema fonocaptor y el Black Cube/Black Cube SE no es óptima.	Aumente el factor de ganancia siguiendo las instrucciones de este manual con el interruptor DIP debajo del Black Cube/Black Cube SE y/o active los Gain-Jumper.

La señal es demasiado baja.	Se ha escogido una resistencia de entrada demasiado baja en el Black Cube/Black Cube SE.	Seleccione la resistencia de entrada de forma que esta se encuentre como mínimo alrededor del factor 10 por encima de la impedancia del sistema del fonocaptor.
La señal es baja y sorda.	Se ha escogido la impedancia MC en el sistema MM.	Desactive todas las impedancias MC por medio del interruptor DIP. En ello, tenga en cuenta que es posible que se haya añadido una impedancia opcional.
La señal está deformada.	La ganancia en el Black Cube/Black Cube SE se ha ajustado demasiado alta.	Reduzca el factor de ganancia siguiendo las instrucciones de este manual con el interruptor DIP debajo del Black Cube/Black Cube SE y/o active los Gain-Jumper.
	La salida del Black Cube/Black Cube SE está conectada a la siguiente entrada del amplificador.	Conecte la salida del Black Cube/Black Cube SE a una entrada Line del siguiente amplificador.
La señal suena hueca, sin el bajo ni ubicación adecuados.	El sistema fonocaptor está conectado con las fases distorsionadas.	Conecte el cable del sistema prestando atención a las fases.
Se oyen zumbidos.	La puesta a tierra del brazo de lectura no está conectada al Black Cube/Black Cube SE.	Conecte la puesta a tierra del brazo de lectura al Black Cube/Black Cube SE.
	Varios equipos conectados producen una zumbido.	Establezca una conexión a tierra adecuada. Dado el caso, avise a un eléctrico.

Se oyen zumbidos.	Hay una perturbación provocada por otro consumidor de corriente.	Desconecte todos los equipos conectados al mismo circuito eléctrico. Pruebe cada equipo conectado a la red a ver si producen efecto. Mientras escucha música, deje desconectado el equipo que tiene perturbaciones o conéctelo mediante un filtro de red al circuito eléctrico.
	El transformador de red de un equipo próximo se dispersa en la entrada.	Coloque su sistema de alta definición a una distancia suficiente con los equipos que perturban la señal.
Se pueden escuchar radiointerferencias.	La puesta a tierra del brazo de lectura no está conectada al Black Cube/Black Cube SE.	Conecte la puesta a tierra del brazo de lectura al Black Cube/Black Cube SE.
	La capacidad de entrada estándar (100 pF) en MC es demasiado escasa.	Deje que su vendedor equipe la ranura de impedancia opcional con más capacidad.

Si esta tabla no le ayuda a solucionar un problema determinado, contacte con la persona que le vendió el equipo. Si esto no fuera posible, utilice nuestra función de búsqueda de tiendas www.lehmannaudio.com/service/dealers y localice fácilmente y con comodidad un vendedor apropiado cerca de usted.

Aviso legal

Garantía

Todos los equipos de Lehmannaudio se prueban individualmente y son sometidos a un control funcional completo. La utilización exclusiva de componentes de primera calidad permite ofrecer una garantía de dos años.

El recibo de compra/la factura sirve como comprobante de garantía. Con el producto se suministra un formulario de registro; o bien, puede accederse al mismo mediante www.lehmannaudio.com/service/register.html. La garantía no cubre los daños debidos a una instalación incorrecta o a un uso inapropiado y, por tanto, su reparación está sujeta a costes. Quedan excluidos de la garantía los derechos a indemnización por daños de cualquier tipo, en particular de daños secundarios. Asimismo, queda excluida cualquier responsabilidad que supere el valor del equipo.

Se aplican los Términos y Condiciones de la empresa:



Lehmannaudio Vertriebs GmbH
 Waltherstr. 49 – 51
 51069 Köln (Alemania)
 Tel.: +49 221 – 29 49 33 20
 Fax: +49 221 – 29 49 33 19
www.lehmannaudio.com

Estado de la técnica

Con el fin de garantizar la máxima calidad de sonido, los equipos de Lehmannaudio se actualizan constantemente al estado de la técnica. Nos reservamos el derecho a realizar modificaciones en el diseño y conmutación sin previo aviso. Por este motivo, las especificaciones técnicas y la apariencia pueden diferir del presente manual de instrucciones.

Servicio

Los posibles trabajos de mantenimiento y reparaciones deben llevarse a cabo por personal experto cualificado. Si desea enviarnos el equipo, póngase en contacto directamente con Lehmannaudio para concretar.

Para trabajos de servicio en el Black Cube/Black Cube SE, póngase en contacto con la tienda donde adquirió el producto. Si esto no fuera posible, utilice nuestra función de búsqueda de tiendas www.lehmannaudio.com/service/dealers y localice fácilmente y con comodidad un vendedor apropiado cerca de usted.

Está prohibido llevar a cabo modificaciones de cualquier tipo en el equipo. En caso de incumplimiento, el equipo pierde su conformidad CE y los derechos de garantía.

Marca registrada y propiedad intelectual

Todas las marcas de fábrica y marcas registradas empleadas en este manual de instrucciones son propiedad del titular correspondiente.

Este manual de instrucciones está protegido con derechos de autor. La distribución o reproducción, también parcial, está permitida únicamente con el consentimiento por escrito de Lehmannaudio Vertriebs GmbH. Esto también se aplica a los dibujos y gráficos empleados.



Si el producto se ha instalado de forma apropiada conforme a este manual de instrucciones, el producto cumple con las siguientes directivas europeas:

Directiva de baja tensión 2006/95/CE: EN 60065

Directiva CEM (compatibilidad electromagnética) 2004/108/CE:
 EN 55103-1:2009, EN 55103-2:2009

RoHS

Conformidad RoHS

ES

El producto ha sido fabricado de conformidad con la directiva 2002/95/CE.



N.º WEEE

DE 40695871

Directiva de residuos de aparatos eléctricos electrónicos (WEEE)

El contenedor de basura tachado es el símbolo CE para la eliminación separada de los residuos electrónicos. El Black Cube/Black Cube SE contiene componentes eléctricos y electrónicos que pueden volver a emplearse o reciclarse después de su eliminación. Según la directiva 2003/108/CE el producto no debe desecharse junto a los residuos domésticos. En caso de eliminación, lleve el equipo a su tienda especializada o pida más información allí.

Lehmannaudio Vertriebs GmbH está inscrita en el registro de dispositivos electrónicos antiguos.

Norbert Lehmann, Gerente

Colonia, 30.01.2018

Indice

- 107 | Premessa
- 108 | Indicazioni di sicurezza
- 113 | Installazione
- 115 | Descrizione delle funzioni
- 118 | Messa in servizio
- 119 | Impostazioni tradizionali
- 120 | Indicazioni per esperti
- 122 | Consigli per ottimizzare l'audio
- 123 | Dati tecnici
- 124 | Individuazione di errori
- 128 | Indicazioni legali

Anche se avete già utilizzato degli preamplificatori phono di altri produttori, vi preghiamo di leggere attentamente le istruzioni per l'uso prima di mettere in funzione Black Cube/Black Cube SE e di conservarle vicino al dispositivo stesso, in caso di consultazione futura!

LA **Lehmannaudio**[®]

Lehmannaudio Vertriebs GmbH

Waltherstr. 49 – 51

51069 Köln (Germania)

Tel.: +49 221 – 29 49 33 20

Fax: +49 221 – 29 49 33 19

info@lehmannaudio.com

www.lehmannaudio.com

www.facebook.com/lehmannaudio

www.twitter.com/lehmannaudio

Premessa

Stimati clienti,

molte grazie per la fiducia accordataci con l'acquisto del dispositivo Black Cube o del Black Cube SE. Gli preamplificatori phono di Lehmannaudio sono realizzati con grande cura per essere collegati ai tradizionali giradischi con sistemi MM o MC.

Tutti i nostri prodotti sono stati sviluppati e prodotti esclusivamente in Germania. A partire dalla fondazione dell'azienda nell'anno 1988, Lehmannaudio è sinonimo di dispositivi di prima qualità, che rimangono sempre fedeli al suono originale e che vengono realizzati con amore per i dettagli. Grazie ai migliori componenti e a un design di connessione ben escogitato, siamo in grado di garantirvi un piacere di ascolto a livelli sorprendenti. Rispetto ai prodotti di massa industriali, il Black Cube e, più che mai, il Black Cube SE sono di livello superiore sotto ogni aspetto. Questi apparecchi soddisfano le esigenze più elevate per quanto riguarda la riproduzione della musica dei vostri vinili, una riproduzione fedele nei dettagli ed emozionalmente coinvolgente.

Ulteriori informazioni si trovano nelle presenti istruzioni per l'uso e sul nostro sito web www.lehmannaudio.com.

Valorizzi nuovamente i suoi vinili preferiti e viva ancora una volta con grande passione il piacere audio della musica in modalità analogica.

Norbert Lehmann

Amministratore

Indicazioni di sicurezza importanti

In questo manuale vengono utilizzate le indicazioni di avvertenza in maniera gerarchica. Le indicazioni di avvertenza sono contrassegnate in grassetto con l'aggiunta di un simbolo (simbolo di avvertimento) evidenziato nel testo.

Le indicazioni di avvertenza sono ordinate in maniera gerarchica nel modo seguente:

1. **AVVERTENZA!**
2. **ATTENZIONE!**
3. **NOTA!**



Questo simbolo rimanda ad indicazioni importanti di utilizzo e manutenzione nella documentazione allegata. Si prega di leggere le informazioni nelle istruzioni per l'uso.



Questo simbolo rimanda alla presenza di una tensione non isolata e pericolosa all'interno del dispositivo e ad un pericolo a causa di una scossa elettrica mortale.



Questo simbolo rimanda ad ulteriori informazioni presenti nelle istruzioni per l'uso. Qui si trovano informazioni integrative, raccomandazioni e consigli relativi all'utilizzo del prodotto.



ATTENZIONE!

Prima di mettere in servizio il dispositivo bisogna leggere tutte le indicazioni di sicurezza e di utilizzo.

Conservazione

Conservare le indicazioni di sicurezza e di utilizzo per poterle consultare successivamente.

Indicazioni di avvertenza

Prestare attenzione a tutte le indicazioni di avvertenza applicate sul dispositivo o citate nelle istruzioni per l'uso.

Indicazioni di utilizzo

Seguire tutte le indicazioni di utilizzo ed applicazione.

Calore

Il dispositivo non deve essere installato vicino a fonti di calore, come ad esempio termosifoni, accumulatori di calore, stufe o altri dispositivi che generano calore (ad esempio amplificatori).

Ventilazione

Non coprire le mai le prese d'aria sul dispositivo e in caso di montaggio all'interno di una rack bisogna fare in modo che il dispositivo abbia sempre una ventilazione sufficiente. Durante l'installazione del dispositivo bisogna sempre rispettare le indicazioni del produttore.

Acqua e umidità

Non esporre il dispositivo alla pioggia e non azionarlo nelle immediate vicinanze di acqua (vasca da bagno, piscine, ecc., oppure in presenza di aria con eccessiva umidità (condensa).

Penetrazione di liquidi

Assicurarsi che non possano penetrare gocce o spruzzi d'acqua all'interno del dispositivo. Non posizionare sul dispositivo degli oggetti riempiti con liquidi, come ad esempio vasi o bicchieri.

Alimentazione di corrente

Azionare il dispositivo soltanto con le tensioni di rete indicate sull'etichetta del dispositivo o nelle istruzioni per l'uso. Se non siete sicuri sulla tensione di rete a vostra disposizione vi consigliamo di chiedere al vostro gestore energetico locale.



ATTENZIONE!

Collegare il dispositivo soltanto ad una presa con cavo di terra e con la corretta polarità. Non mettere fuori uso la funzione del collegamento di terra sul cavo di collegamento fornito in dotazione. Qualora il connettore del cavo fornito in dotazione non si adattasse alla presa di corrente, vi preghiamo di consultare il vostro elettricista.

Protezione del cavo di rete

Proteggere il cavo di rete per evitare che venga calpestato o danneggiato, soprattutto nell'area del connettore di ingresso del dispositivo, della prolunga e nel connettore di uscita del cavo del dispositivo.

Alimentatore di rete

Utilizzare esclusivamente l'alimentatore fornito in dotazione.

Intemperie

Staccare la spina per proteggere il dispositivo da fulmini e sovratensioni.

Sovraccarico elettrico

Non superare la massima corrente di carico per la prese, per il cavo di prolunga o per i distributori di corrente integrati. Un sovraccarico può causare un incendio.

Fonti di incendio

Non posizionare fiamme libere, come ad esempio candele accese, sul dispositivo.

Accessori

Utilizzare con il dispositivo esclusivamente accessori / integrazioni previste dal produttore.

Montaggio

Azionare il dispositivo soltanto in una posizione sicura e stabile su un tavolo, un carrello o un apposito cavalletto. Evitare che il dispositivo cada, poiché potrebbe causare lesioni alle persone e danneggiare il dispositivo stesso. Durante il montaggio del dispositivo bisogna fare in modo che il connettore di rete rimanga facilmente accessibile.

Pulizia

Per pulire il dispositivo bisogna utilizzare esclusivamente un panno asciutto.

Inutilizzo

In caso di utilizzo del dispositivo bisogna staccare la spina di rete.

Assistenza

Tutti i lavori di assistenza e di riparazione devono essere eseguiti da un tecnico autorizzato.

I lavori di assistenza sono necessari qualora il dispositivo venga danneggiato in qualsiasi modo, ad esempio se

- il cavo di rete o il connettore sono stati danneggiati,
- è penetrato del liquido o qualsiasi oggetto all'interno del dispositivo,
- il dispositivo è stato esposto alla pioggia o all'umidità
- oppure se non funziona normalmente o se è caduto.

Pezzi di ricambio

Per la riparazione bisogna utilizzare esclusivamente pezzi di ricambio che sono stati specificati e omologati dal produttore.

Installazione

In questo capitolo appenderete maggiori informazioni sui collegamenti, sugli elementi di comando nonché sulle possibilità di utilizzo del vostro preamplificatore phono Black Cube/Black Cube SE di Lehmannaudio.

1 | Sconfezionamento

Controllare Black Cube/Black Cube SE dopo averlo tolto dal suo imballaggio per vedere se presenta eventuali danni causati dal trasporto. Qualora venissero identificati dei danni palesi, non bisogna collegare in nessun caso il dispositivo all'alimentazione di corrente. In questo caso rivolgersi immediatamente al proprio rivenditore.

La fornitura comprende i seguenti componenti:

- Dispositivo Black Cube
- Istruzioni per l'uso
- Alimentatore di rete (Black Cube)
oppure alimentatore di rete PWX
(Black Cube SE)
- Chiave a brugola (2 mm)
- 4 Ponticelli (jumper)
- Cavo di rete
- Certificato di garanzia



Nota

Vi raccomandiamo di conservare la confezione completa in caso di un eventuale futura spedizione. In questo modo si eviteranno danni causati dal trasporto. In ogni caso non bisogna utilizzare delle «scaglie di polistirolo» oppure un materiale d'imballaggio simile. Durante il trasporto il dispositivo «scivola» altrimenti fino al fondo della confezione e può essere danneggiato!

Se l'imballaggio originale non è più a disposizione, bisogna utilizzare al limite delle pellicole con bolle d'aria con le quali avvolgere il dispositivo. Imballare il tutto in un cartone robusto.

2 | Montaggio

Posizionare Black Cube/Black Cube SE sempre su una superficie stabile. Grazie alle sue dimensioni compatte e al suo peso ridotto, Black Cube/Black Cube SE può essere installato direttamente accanto al giradischi.

3 | Collegamento

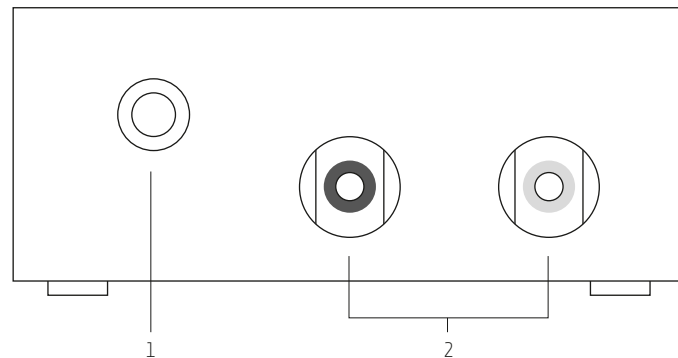
Verificare se l'adattatore di rete fornito in dotazione per il collegamento sia idoneo alla rete di corrente del vostro paese. Sull'adattatore si trovano tutte le informazioni relative alla tensione di rete necessarie al funzionamento del dispositivo. Collegare adesso Black Cube/Black Cube SE alla rete di corrente con l'aiuto di un alimentatore esterno e dell'attacco presente sul retro del dispositivo.

Prestare attenzione alle indicazioni di sicurezza, a partire da pagina 108!

Descrizione della funzione

In questo capitolo appenderete maggiori informazioni sui collegamenti, sugli elementi di comando nonché sulle possibilità di utilizzo del vostro preamplificatore phono Black Cube/Black Cube SE di Lehmannaudio.

Ingresso



1 | Morsetto di terra (GND)

Se il vostro giradischi possiede un cavo di terra separato, allora il morsetto di terra deve essere collegato a esso. Il morsetto consente il collegamento a scelta di cavi, refoli, estremità di cavi libere, capocorda o connettori a banana da 4 mm.

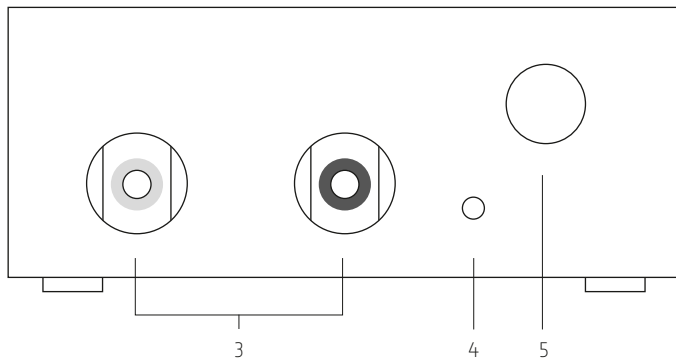
2 | Bussole di ingresso (IN)

A queste bussole bisogna collegare il cavo proveniente dal vostro giradischi. La bussola di sinistra (nera) è prevista per il canale sinistro, mentre quella destra (rosso) per il canale destro. Vi preghiamo di prestare attenzione al corretto collegamento dei canali.

Descrizione della funzione

IT

Uscita



IT

3 | Bussole di uscita (OUT)

Uscita di linea non distorta RIIA. In questa uscita bisogna collegare il cavo che a sua volta verrà collegato a un ulteriore amplificatore di volume (gli ingressi di linea hanno denominazioni come «Line», «AUX», «CD», «Tuner» etc.) oppure direttamente ad un amplificatore con possibilità di regolazione del volume. Anche qui vi preghiamo di prestare attenzione al corretto collegamento dei canali. Considerando il dispositivo, i relativi canali sono disposti in linea a partire dall'alto.



ATTENZIONE!

Non collegare mai l'uscita del Black Cube/Black Cube SE all'ingresso fono di un altro dispositivo. Ciò può causare danni dello stadio fono o dell'altoparlante.

4 | Spia di esercizio (LED)

Se il LED lampeggia, ciò significa che Black Cube/Black Cube SE è pronto all'esercizio. Il dispositivo non ha alcun interruttore di rete.

5 | Passaggio dei cavi per l'alimentatore di rete esterno (Black Cube)/ alimentatore di rete PWX (Black Cube SE)

Il connettore quadripolare XLR Neutrik viene inserito nell'alimentatore di rete incluso nella fornitura. Non toglia o inserisca in nessun caso questa connessione durante il funzionamento.

Il Black Cube può essere aggiornato a Black Cube SE acquistando un alimentatore di rete PWX.

Messa in servizio

Per la messa in servizio del vostro Black Cube/Black Cube SE sono necessarie delle informazioni da acquisire mediante un sistema pickup.





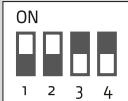

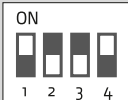

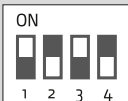

Sono importanti due indicazioni: Si tratta di un sistema MM- (Moving Magnet) o di un sistema MC- (Moving Coil)? Quale resistenza terminale bisogna scegliere? Solitamente entrambe le indicazioni sono presenti nella confezione del vostro sistema pickup. In caso di dubbio chiedete al vostro rivenditore specializzato quali sono i valori consigliati. Egli sarà lieto di consigliarvi la corretta impostazione del vostro Black Cube/Black Cube SE.

Non appena avrete reperito le informazioni adeguate vi preghiamo di procedere nel modo seguente:

- 1 | Impostate il **volume del vostro impianto al minimo** o disattivate completamente il vostro amplificatore.
- 2 | Collegare l'**alimentatore di rete**.
- 3 | Impostate l'**amplificazione per il vostro sistema pickup (MM/MC)** sul Black Cube/Black Cube SE. L'impostazione deve essere identica per entrambi i canali e avviene mediante gli **interruttori DIP sulla parte posteriore del dispositivo** e con i **ponticelli del gain nella parte interna del dispositivo**. Le tradizionali impostazioni di amplificazione per vari tipi di pickup si trovano nella pagina successiva. Nella condizione di consegna i ponticelli del gain sono inseriti.
- 4 | Impostate la **resistenza terminale** sul Black Cube/Black Cube SE. L'impostazione deve essere identica per entrambi i canali e avviene mediante le **impedenze selezionabili all'interno del dispositivo e gli interruttori DIP nella parte inferiore del dispositivo**. Ulteriori informazioni in merito sono reperibili a pagina 120.
- 5 | Collegare il **giradischi all'ingresso** del Black Cube/Black Cube SE.
- 6 | Collegare l'uscita del Black Cube/Black Cube SE con un' **uscita di linea dell'amplificatore successivo**. Per evitare perdite di segnale causate dalla lunghezza del cavo bisogna scegliere un cavo di trasmissione segnale più corto possibile.

Impostazioni tradizionali

Qui in basso sono raffigurate le configurazioni per gli interruttori /ponticello del gain per alcuni sistemi. Vi preghiamo di prestare attenzione al fatto che entrambi i canali devono avere le stesse impostazioni.

Sistema	Interruttore	Ponticello del gain
MM		X
MM High Output		–
MC 47 kohm		X
MC 47 kohm Mid Output		–
MC 1 kohm		X
MC 1 kohm Mid Output		–
MC 100 ohm		X
MC 100 ohm Mid Output		–
MC impedenza di riferimento		X
MC impedenza di riferimento Mid Output		–

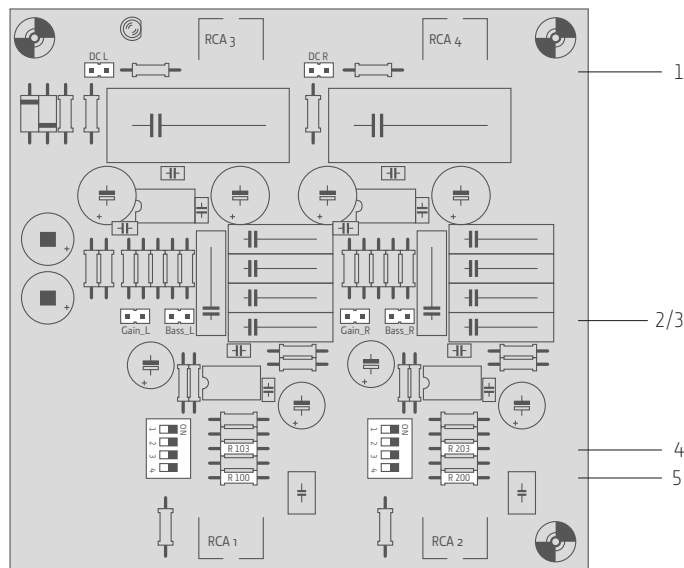
X = con ponticello inserito (condizione di consegna)

Indicazioni per esperti

Black Cube/Black Cube SE può essere adattato praticamente a tutti i sistemi tradizionali presenti sul mercato.

Le possibilità di impostazione, ad eccezione dell'interruttore DIP, che si trovano all'interno del dispositivo dovrebbero essere eseguite soltanto da soggetti esperti. In dotazione col dispositivo viene fornita una chiave a brugola per aprire l'alloggiamento ed è fornito un ponticello per modificare l'amplificazione.

Visuale interna



1 | DC L/DC R

Con questi ponticelli vengono bypassati i condensatori di uscita MKP e non vengono

più inclusi nel percorso del segnale. Questi ponticelli non sono attivati alla consegna del dispositivo.



ATTENZIONE!

In caso di condensatori di uscita bypassati è possibile che ci sia tensione continua sulle uscite. Prima di un'eventuale attivazione di questi Jumper bisogna assicurarsi che lo stadio di ingresso successivo disponga di un filtro di ingresso della tensione continua, in quanto la tensione continua può causare danni agli altoparlanti. In caso di dubbi far prima controllare il vostro impianto ad un rivenditore specializzato.

2 | Gain_L/Gain_R

Questi ponticelli modificano l'amplificazione di +10 dB e sono già attivati alla consegna. Con gli interruttori DIP accessibili dal retro del dispositivo (rispettivamente n. 1) è possibile passare da un guadagno a 46 dB (MM) e a 66 dB (MC). Qualora queste impostazioni fossero troppo elevate, è possibile rimuovere i ponticelli.

3 | Bass_L/Bass_R

Questi ponticelli attivano il filtro Soft Bass Rolloff per evitare una vibrazione della membrana nei dischi con rotazione ondulatoria. La frequenza limite è di 50 Hz, la transconduttanza del filtro è di 6 dB/Ott. Questi ponticelli non sono attivati alla consegna del dispositivo.

4 | R103/R203

Qui si trovano degli slot liberi per le impedenze selezionabili da attivare tramite i relativi interruttori DIP (rispettivamente n. 3). Un'impedenza/capacità inserita in questo slot collegherà in parallelo tutte le altre impedenze/capacità attivate mediante gli interruttori, nonché l'impedenza 47 kohm/100 pF.

5 | R100/R200

Qui sono disponibili prese di innesto cablate (hardwire) per altre impedenze/capacità con efficacia immediata, senza necessità di attivazione mediante interruttore. Una impedenza/capacità qui inserita viene attivata in parallelo a tutte le altre impedenze/capacità attivate mediante interruttore e ai condensatori da 47 kohm/100 pF.

Consigli per ottimizzare l'audio

Il Black Cube/Black Cube SE può essere buono soltanto se il segnale che proviene dal giradischi o dal sistema pickup viene rilevato accuratamente. Poiché la riproduzione di un disco non è altro che una scansione meccanica di un disco influenzata da molti fattori, qui di seguito sono riportati alcuni consigli per ottimizzare il suono. Soprattutto nei giradischi pregiati dovrete consultare il vostro rivenditore per qualsiasi lavoro di assistenza o impostazione.

- 1 | L'impostazione della geometria del braccio del giradischi e dell'intero sistema** dovrebbe avvenire ad opera di tecnico. In caso di impostazioni errate si possono verificare immediatamente degli svantaggi acustici fino ad un'usura unilaterale del dispositivo e quindi un'usura anticipata dell'intero sistema. I buoni rivenditori hanno degli appositi dispositivi speciali di misurazione e di impostazione. Essi sono decisamente più precisi rispetto a quelli spesso in dotazione dei sistemi pickup.
- 2 |** Nei giradischi con telaio sottostante, il **comportamento oscillatorio** dovrebbe essere regolato da un tecnico in maniera ottimale. Anche qui sarà possibile migliorare la qualità del suono.
- 3 |** L'utilizzo di un **tappetino di distacco in feltro**, che contribuisce ad un miglior distacco fra il disco e il piatto, può migliorare notevolmente la qualità del suono.
- 4 |** Bisogna anche considerare abbastanza il **materiale utilizzato per il cavo o il confezionamento del cavo**. Ciò vale soprattutto per il cablaggio del sistema (Headshell), il cavo del braccio del giradischi verso Black Cube/Black Cube SE e il cavo del preamplificatore successivo.

Dati tecnici

	MM	MC
Sensibilità per il livello di uscita 775 mV/0 dB <i>(con ponticelli del gain attivati)</i>	3,8 mV/1 kHz	0,38 mV/1 kHz
Guadagno 1 kHz	46 dB	66 dB
Massimo livello in ingresso	45 mV	4,5 mV
Rapporto segnale/rumore <i>(effettivo, non valutato)</i>	71 dB	63 dB
Guadagno	36 dB, 46 dB, 56 dB, 66 dB	
Separazione tra i canali	> 85 dB a 10 kHz	
Impedenza in ingresso	47 kohm, 1 kohm, 100 ohm • 1 x impedenza di riferimento • 1 x presa per cavo hardwire	
Impedenza in uscita	47 ohm	
Capacità in ingresso	100 pF	
Disuniformità tra i canali	tipico 0,5 dB	
Filtro passabasso	50 Hz, 6 dB/Ott.	
Assorbimento di potenza	< 3 W	
Tensione di rete	240 V AC	
Fusibile	• Nessun fusibile (Black Cube) • 250 mA T (Black Cube SE)	

Dimensioni esterne L x P x A	<ul style="list-style-type: none"> • Sezione audio: 113 mm x 108 mm x 45 mm • Alimentatore di rete Black Cube: 70 mm x 115 mm x 55 mm • Alimentatore di rete PWX Black Cube SE: 93 mm x 233 mm x 45 mm
Peso	<ul style="list-style-type: none"> • Sezione audio, compreso cavo per alimentatore di rete: 0,4 kg netto • Alimentatore di rete Black Cube: 0,3 kg netto • Alimentatore di rete PWX Black Cube SE: 1,0 kg netto

Individuazione di errori

Errori	Causa	Soluzione
Il LED di servizio non è acceso.	Il cavo di rete non è inserito nella presa.	Inserisca il cavo di rete nella presa.
	L'alimentatore di rete non è collegato all'apparecchio.	Colleghi l'alimentatore di rete all'apparecchio.
Nessun segnale.	Il cavo di rete non è inserito nella presa.	Inserisca il cavo di rete nella presa.
	L'alimentatore di rete non è collegato all'apparecchio.	Colleghi l'alimentatore di rete all'apparecchio.
	Ingresso e uscita sul Black Cube/Black Cube SE sono collegati in modo errato.	Verifichi se il cavo all'ingresso, che arriva dai giradischi, e il cavo all'uscita, che porta all'amplificatore sul Black Cube/Black Cube SE, sono collegati ed eventualmente li colleghi in modo corretto.

Nessun segnale.	Sull'amplificatore successivo è selezionato un errato canale di ingresso.	Selezioni il corretto canale di ingresso.
Segnale solo su un canale.	Gli interruttori DIP sono impostati in modo non uniforme oppure è inserito solo un ponticello del gain.	Verifichi la posizione di entrambi gli interruttori DIP e di entrambi i ponticelli del gain. Si assicuri che le impostazioni siano uguali per entrambi i canali.
	Un cavo di collegamento ha un contatto instabile, non è ben inserito nella presa oppure è difettoso.	Verifichi se il cavo di collegamento ha un contatto instabile o il connettore non è ben inserito o se vi sono altri componenti difettosi ed eventualmente provveda a sostituirli. Devono essere oggetto di verifica: i cavi di sistema (headshell), il cavo del braccio del giradischi verso il Black Cube/Black Cube SE e il cavo di linea dal Black Cube/Black Cube SE verso l'ingresso successivo.
	Lo stadio di ingresso successivo è difettoso.	Lo si può individuare connettendolo a diversi ingressi di linea.
I canali di sinistra e di destra sono invertiti.	Nel cavo di collegamento c'è uno scambio di canale.	Verifichi il canale di collegamento ed eventualmente scambi i canali. Devono essere oggetto di verifica: I cavi di sistema (headshell), il cavo del braccio del giradischi verso il Black Cube/Black Cube SE e il cavo di linea dal Black Cube/Black Cube SE verso l'ingresso successivo.
Il segnale è troppo basso.	L'adattamento tra sistema pick up e Black Cube/Black Cube SE non è ottimale.	Aumenti il fattore di amplificazione mediante gli interruttori DIP sotto il Black Cube/Black Cube SE, seguendo queste istruzioni per l'uso e/o attivi gli ponticelli del gain.

Il segnale è troppo basso.	La resistenza di ingresso sul Black Cube/Black Cube SE è stata scelta a un valore troppo basso.	Scelga la resistenza di ingresso in modo tale che questa sia più alta, almeno di un fattore 10, rispetto all'impedenza del sistema pick up.
Il segnale è basso e sordo.	Sul sistema MM è selezionata l'impedenza MC.	Disattivi tutte le impedenze MC con l'interruttore DIP. In questa operazione verifichi anche se vi è un eventuale inserimento di un'impedenza a scelta.
Il segnale è distorto.	L'amplificazione sul Black Cube/Black Cube SE è stata impostata a un valore troppo alto.	Riduca il fattore di amplificazione mediante gli interruttori DIP sotto il Black Cube/ Black Cube SE, seguendo queste istruzioni per l'uso e/o disattivi gli ponticelli del gain.
	L'uscita del Black Cube/Black Cube SE è collegata al successivo ingresso audio.	Colleghi l'uscita del Black Cube/Black Cube SE a un ingresso della linea sull'amplificatore successivo.
Il segnale suona vuoto, senza bassi corretti e senza una corretta localizzazione.	Il sistema pick up è collegato con inversione di fase.	Colleghi il cavo di sistema con la fase corretta.
Si sente un ronzio.	La messa a terra del braccio del sistema pick up sul Black Cube/Black Cube SE non è collegata.	Colleghi la messa a terra del braccio del sistema pick up sul Black Cube/Black Cube SE.
	Diversi apparecchi collegati provocano un'interferenza con ronzio.	Crei un corretto collegamento di messa a terra. Faccia eventualmente intervenire anche un elettricista.

Si sente un ronzio.	Vi è un'interferenza diffusa da un altro utilizzatore di corrente.	Separi uno alla volta tutti gli apparecchi connessi allo stesso circuito di rete e ne controlli l'effetto. Quando ascolta musica, lasci spento l'apparecchio che crea interferenza oppure lo colleghi al circuito di corrente mediante un filtro di rete.
	Il trasformatore di rete di un apparecchio installato nelle vicinanze interferisce in ingresso.	Si collochi con il suo impianto wi-fi a una distanza sufficiente rispetto agli apparecchi che interferiscono.
Nel sottofondo si sentono disturbi radio.	La messa a terra del braccio del sistema pick up sul Black Cube/Black Cube SE non è collegata.	Colleghi la messa a terra del braccio del sistema pick up sul Black Cube/Black Cube SE.
	La capacità di ingresso standard (100 pF) in MC è troppo bassa.	Faccia inserire dal rivenditore la presa di innesto dell'impedenza a scelta, con capacità aggiuntiva.

Se non è possibile risolvere il problema con l'aiuto di questa panoramica bisogna controllare il rivenditore sul quale è stato acquistato il dispositivo. Se ciò non è possibile, potete rivolgervi comodamente facilmente ad un altro rivenditore nelle vostre vicinanze consultando il nostro sito di ricerca dei rivenditori autorizzati www.lehmannaudio.com/service/dealers.

Indicazioni legali

Garanzia

Ogni dispositivo di Lehmannaudio è stato controllato singolarmente ed è stato sottoposto ad un completo controllo delle funzionalità. L'utilizzo esclusivamente di componenti pregiati consente di concedere due anni di garanzia

Come prova di garanzia basta la prova d'acquisto/scontrino. Il modulo di registrazione è allegato al prodotto oppure può essere richiamato tramite il sito www.lehmannaudio.com/service/register.html. Non sono coperti da garanzia i danni causati da un montaggio o da una manipolazione errati, e la loro risoluzione avverrà a pagamento. Si escludono risarcimenti danni di qualsivoglia natura, soprattutto in relazione a danni conseguenti o indiretti. Si esclude inoltre una garanzia per un importo che va oltre quello della merce.

Valgono le condizioni commerciali generali della ditta:



Lehmannaudio Vertriebs GmbH
 Waltherstr. 49 – 51
 51069 Köln (Germania)
 Tel.: +49 221 – 29 49 33 20
 Fax: +49 221 – 29 49 33 19
www.lehmannaudio.com

Standard tecnici

Per garantire la massima qualità audio, i dispositivi di Lehmannaudio sono sempre al passo con gli standard tecnici più recenti. Vengono effettuate modifiche relative alla costruzione o ai circuiti senza preavviso. I dati tecnici e le immagini possono quindi essere leggermente diverse rispetto a quella presentata nelle istruzioni per l'uso.

Assistenza

Eventuali manutenzioni o riparazioni devono essere in ogni caso eseguite da personale tecnico qualificato. Se si desidera effettuare un reso del dispositivo bisogna rivolgersi a Lehmannaudio per parlare della procedura in tal senso.

Per i lavori di assistenza sul dispositivo Black Cube/Black Cube SE bisogna rivolgersi al rivenditore presso il quale esso è stato acquistato. Se ciò non è possibile, potete rivolgervi comodamente facilmente ad un altro rivenditore nelle vostre vicinanze consultando il nostro sito di ricerca dei rivenditori autorizzati www.lehmannaudio.com/service/dealers.

Sul dispositivo non sono consentite modifiche di qualsivoglia natura. In caso di mancata osservanza la dichiarazione di conformità CE e le richieste in garanzia perderanno la loro validità.

Marchio commerciale e diritto d'autore

Tutti i marchi commerciali e i marchi registrati citati nelle presenti istruzioni per l'uso sono marchi dei rispettivi titolari.

Le presenti istruzioni per l'uso sono tutelate dal diritto d'autore. Qualsiasi riproduzione oppure ristampa, anche parziale, è consentita soltanto previo esplicito consenso della ditta Lehmannaudio Vertriebs GmbH. Ciò vale soprattutto per le immagini e i grafici utilizzati.

CE Dichiarazione di conformità CE

Questo prodotto, in caso di installazione fedele a quanto citato nel presente manuale, è conforme alle seguenti direttive europee:

Direttiva sulla bassa tensione 2006/95/CE: EN 60065

Direttiva CEM (compatibilità elettromagnetica) 2004/108/CE:
 EN 55103-1:2009, EN 55103-2:2009



Il prodotto è stato realizzato in conformità con la direttiva 2002/95/CE

IT

**N. RAEE****DE 40695871**

RAEE smaltimento dispositivi usati

Il bidone dell'immondizia barrato è il simbolo CE per lo smaltimento separato dei rifiuti elettronici. Black Cube/Black Cube SE contiene dei componenti elettrici che possono essere riutilizzati dopo il suo smaltimento o materiali che possono essere riciclati. Quindi, in base alla direttiva 2003/108/CE esso non può essere smaltito assieme normali rifiuti domestici. In caso di smaltimento bisogna portare il dispositivo da smaltire presso un rivenditore autorizzato oppure chiedergli le informazioni sulle procedure di un corretto smaltimento.

La ditta Lehmannaudio Vertriebs GmbH è inserita nel registro dei dispositivi elettronici usati.

Norbert Lehmann, amministratore

Colonia, 30.01.2018



Lehmannaudio[®]

Lehmannaudio Vertriebs GmbH
Waltherstraße 49 – 51
51069 Köln

info@lehmannaudio.com
www.lehmannaudio.com
www.facebook.com/lehmannaudio
www.twitter.com/lehmannaudio

Made in Germany