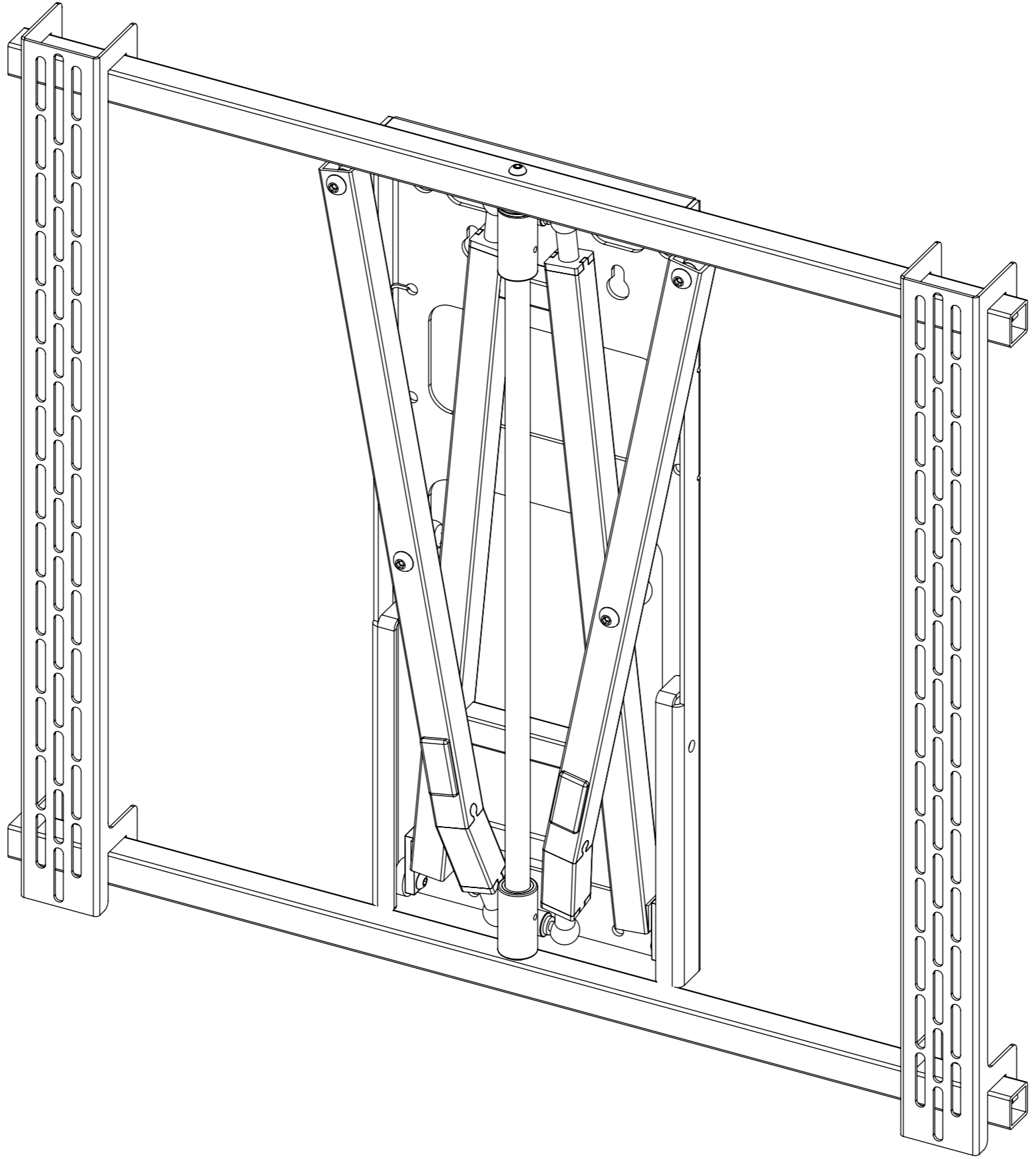


IP-PS80

OUTDOOR PULL & SWIVEL MANUAL WALL MOUNT



future automation



IP-PS80

OUTDOOR PULL & SWIVEL MANUAL WALL MOUNT



future automation

SPECIFICATION	MEASUREMENTS
Maximum Screen Size	65" - 110"
Maximum Weight Capacity	120Kg (265lb)
Maximum Extension From Wall	569mm (22.4")
Depth From Wall	84mm (3.3")
Packaging Dimensions	970 x 380 x 200mm (38.1 x 14.9 x 7.8")
Shipping Weight	25Kg (55lb)
Maximum Rotation	Screen Dependant - 45° for 65" - 40° for 75" - 34° for 85" - 28° for 100"
Movement Type	Manual
Mounting Patterns Supported	VESA 800, 700, 600, 500, 400, 300, 200 W x 700, 600, 500, 400, 300, 200 H
Product Options / Features	Specific B&O and Loewe mounts / adapters, Custom RAL paint finishes, WB80
Package Contents	Mechanism
Marine Suitable	No

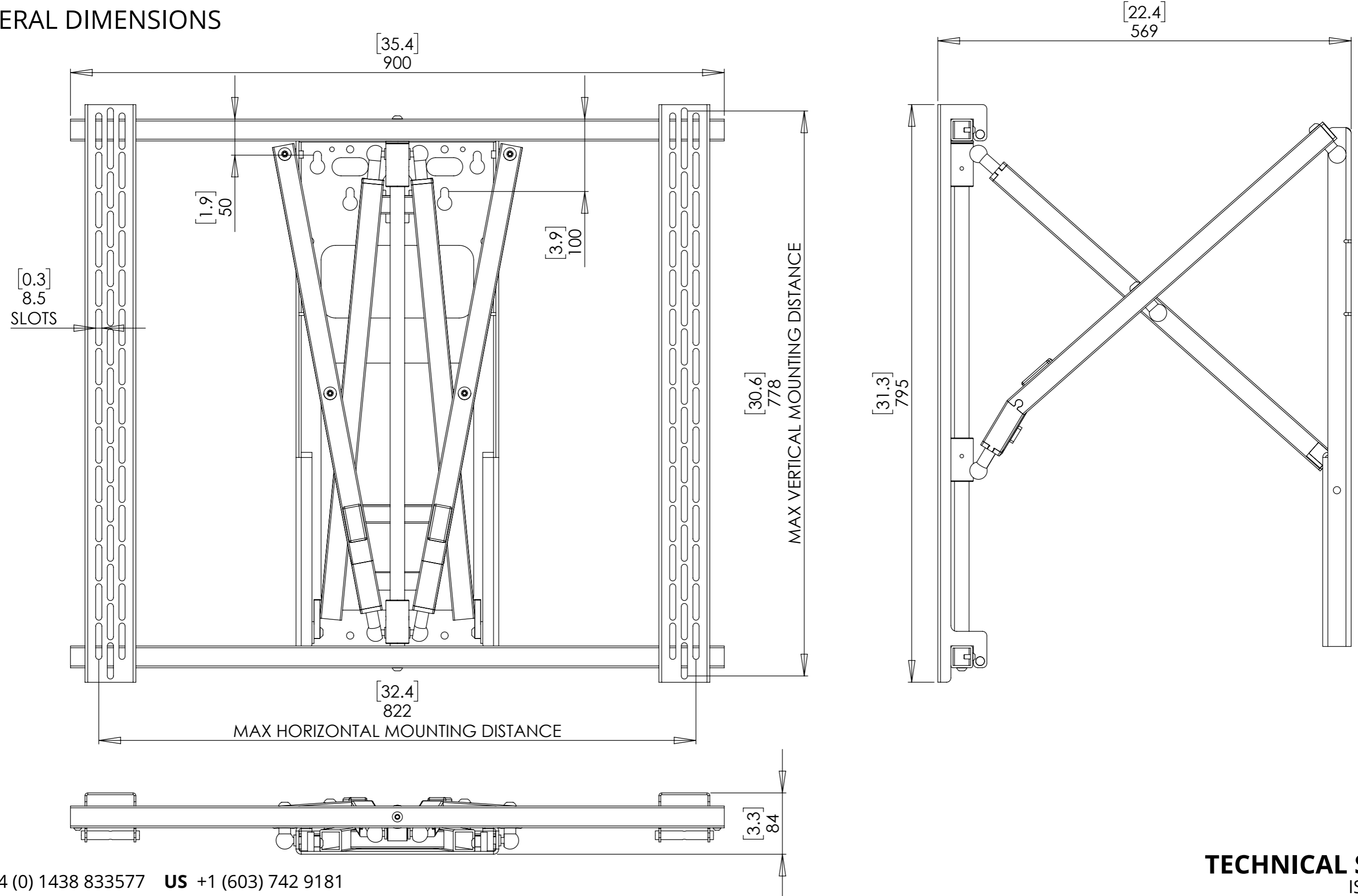
IP-PS80



future automation

OUTDOOR PULL & SWIVEL MANUAL WALL MOUNT

GENERAL DIMENSIONS



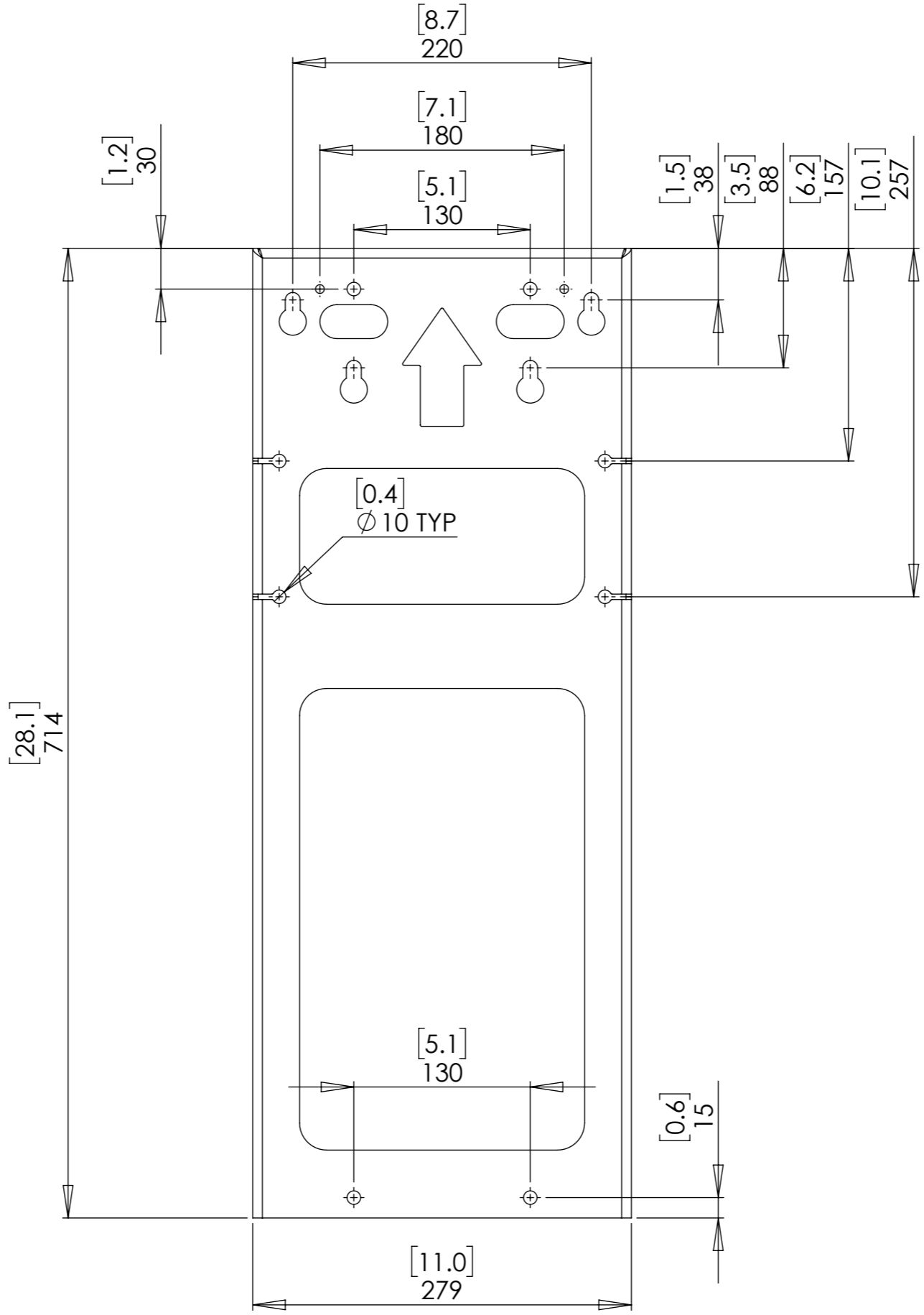
IP-PS80



future automation

OUTDOOR PULL & SWIVEL MANUAL WALL MOUNT

WALL PLATE DIMENSIONS

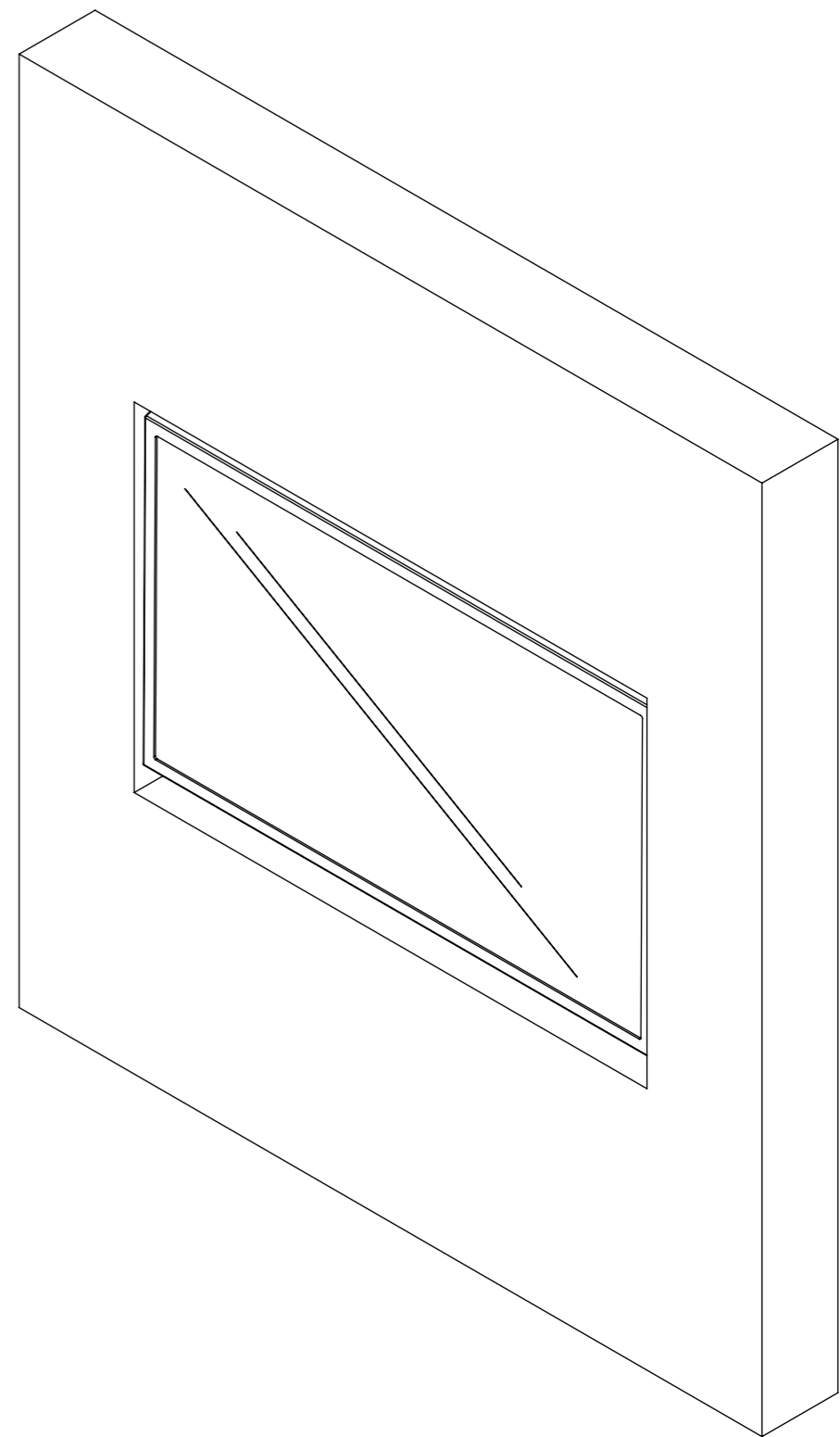
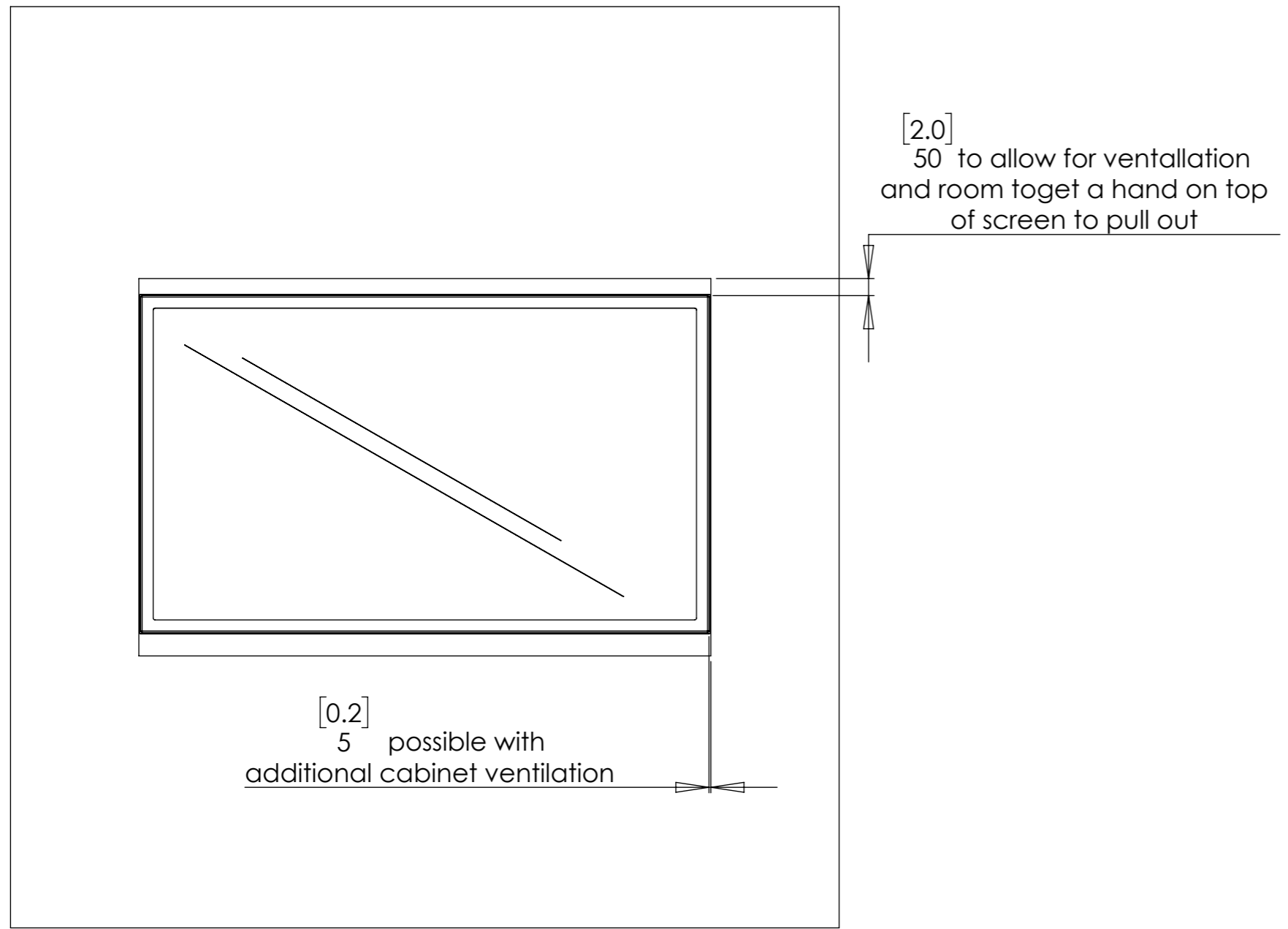


OUTDOOR PULL & SWIVEL MANUAL WALL MOUNT

RECESS MOUNTING

When recess mounting a screen on the PS80 the gap around the edge can be as little as 5mm [0.2]. Ventilation would have to be provided by opening the top and maybe the bottom of the recess.

A larger gap of 50mm [2.0"] around the screen would enable extra ventilation and enough space for finger access to manoeuvre the screen if required.



IP-PS80



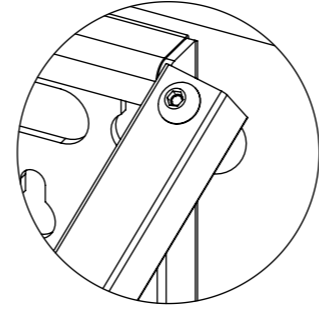
future automation

OUTDOOR PULL & SWIVEL MANUAL WALL MOUNT

MOUNTING DETAILS

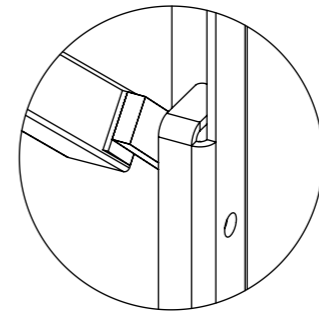
The whole area of the wall plate needs to be well supported. Ideally solid plaster over brickwork.

If mounting to a stud work wall its important to have 2 vertical studs behind on both sides of the wall plate. See details A & B.



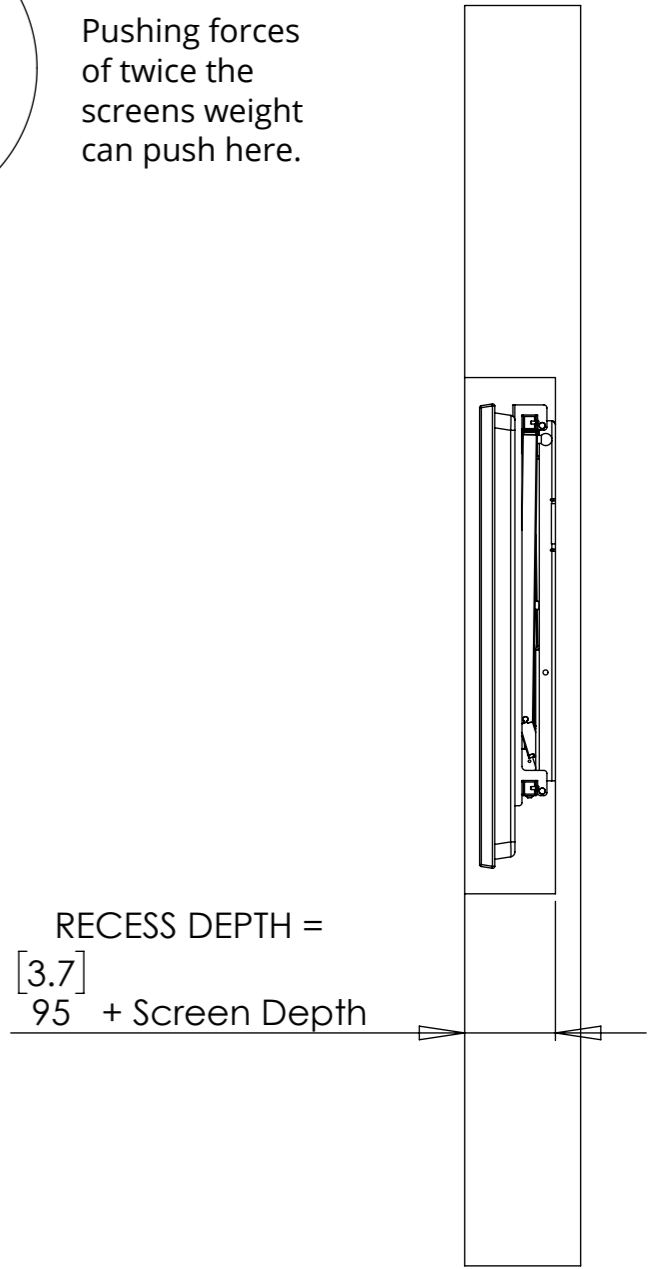
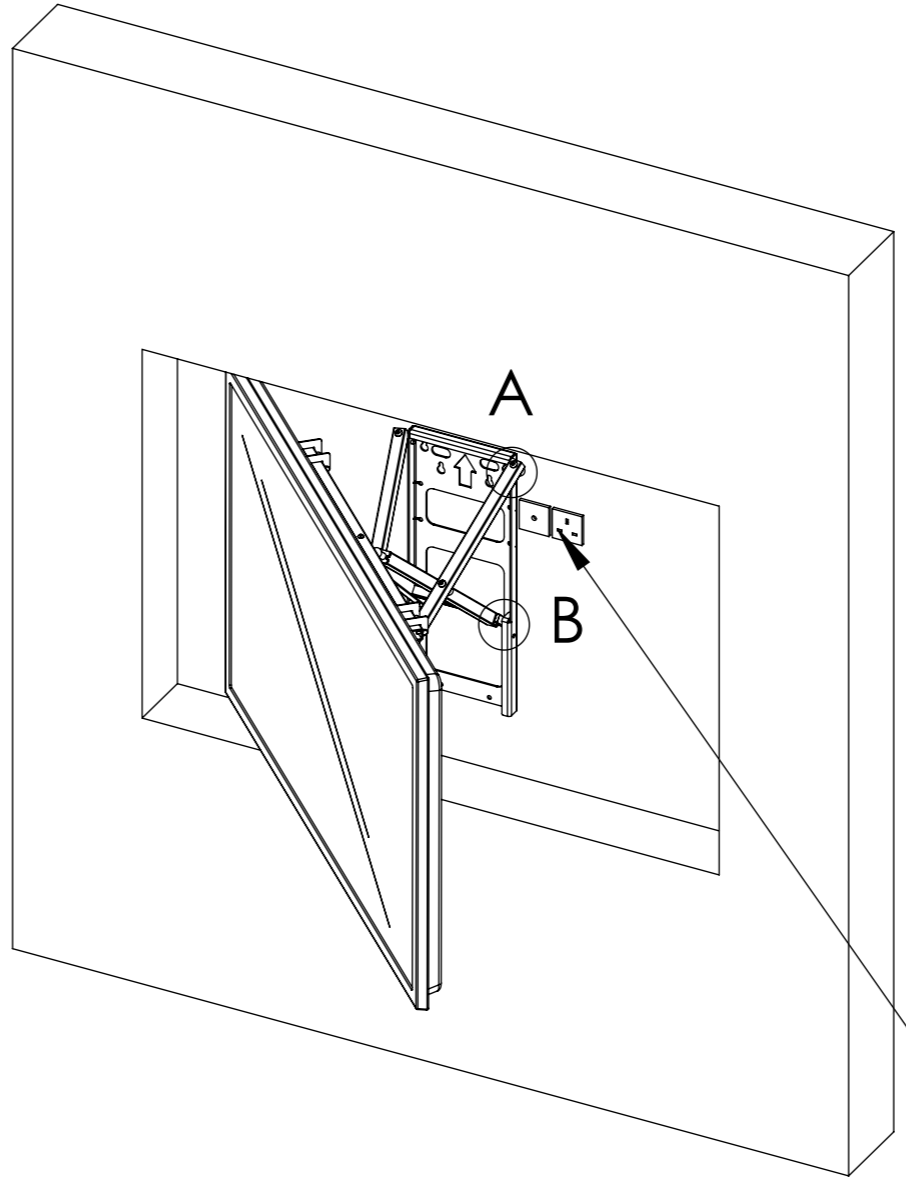
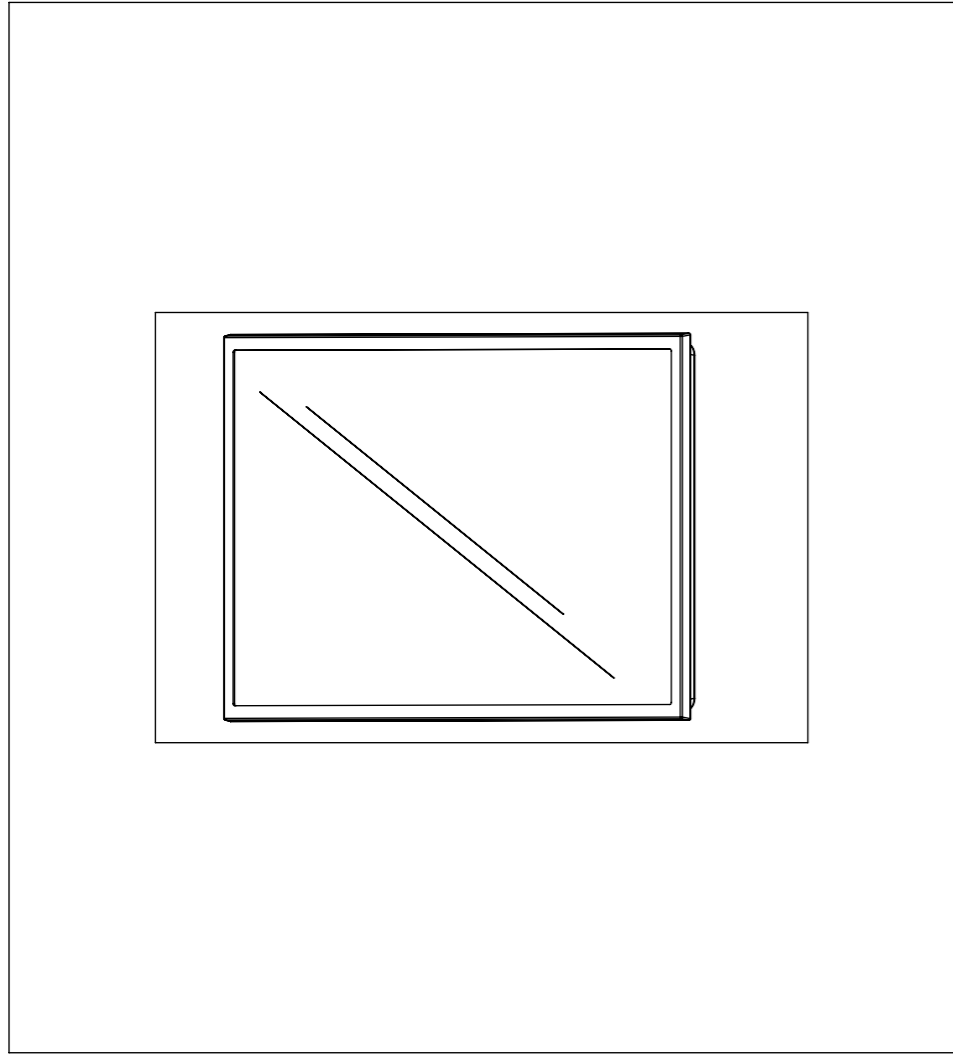
DETAIL A

Pulling forces of twice the screens weight can be exerted here.



DETAIL B

Pushing forces of twice the screens weight can push here.



Ideal location for power and signal cables to enter recess

IP-PS80



future automation

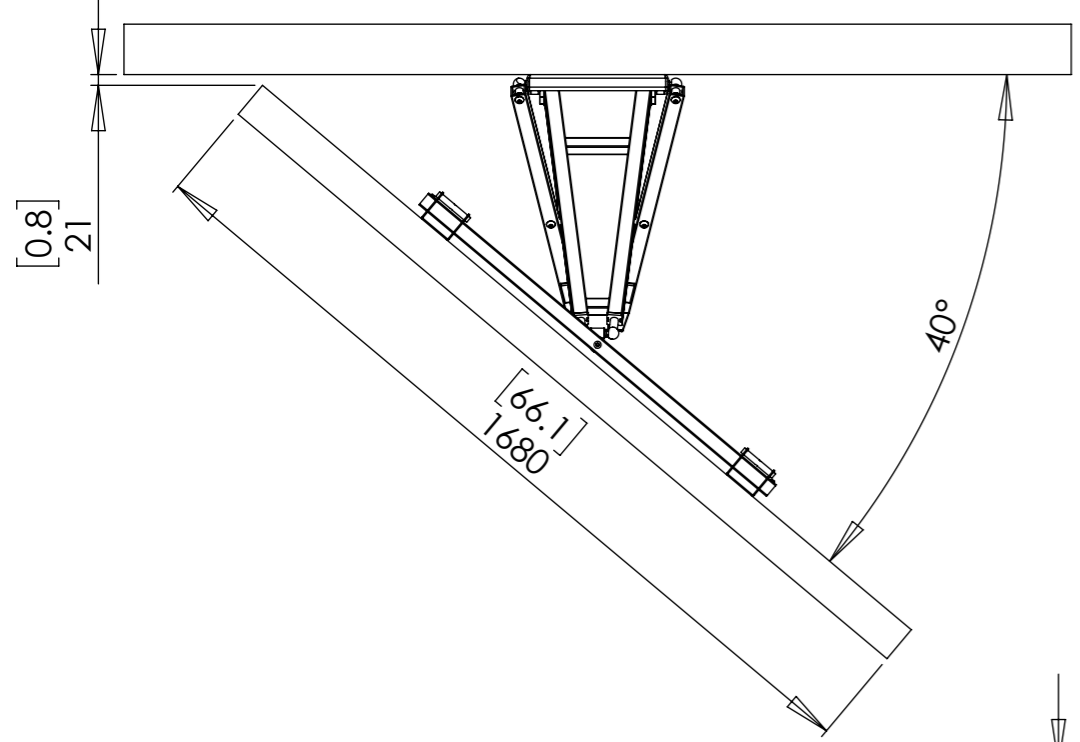
OUTDOOR PULL & SWIVEL MANUAL WALL MOUNT

SWIVEL ANGLES

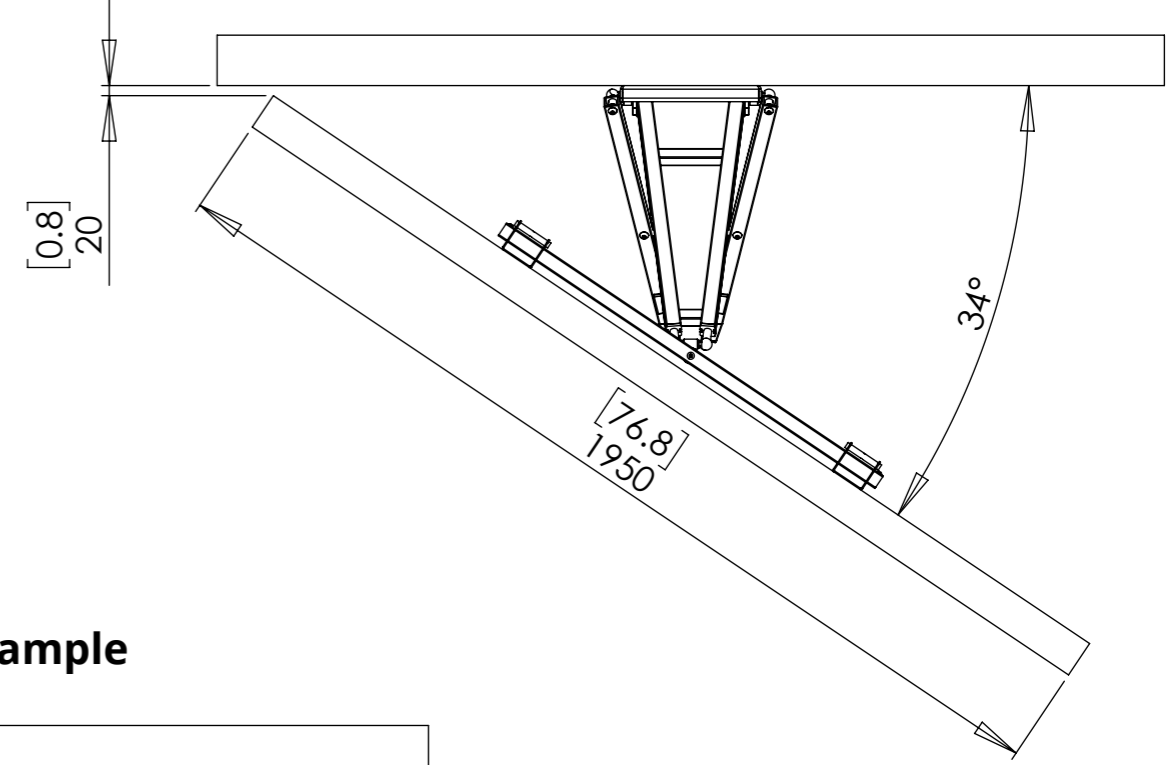
The width of the screen will determine the possible swivel angle.

75" screens may swivel up to 40 degrees where a 85" screen may swivel up to 34 degrees and 100" up to 28 degrees.

75" Screen Example



85" Screen Example



100" Screen Example

