

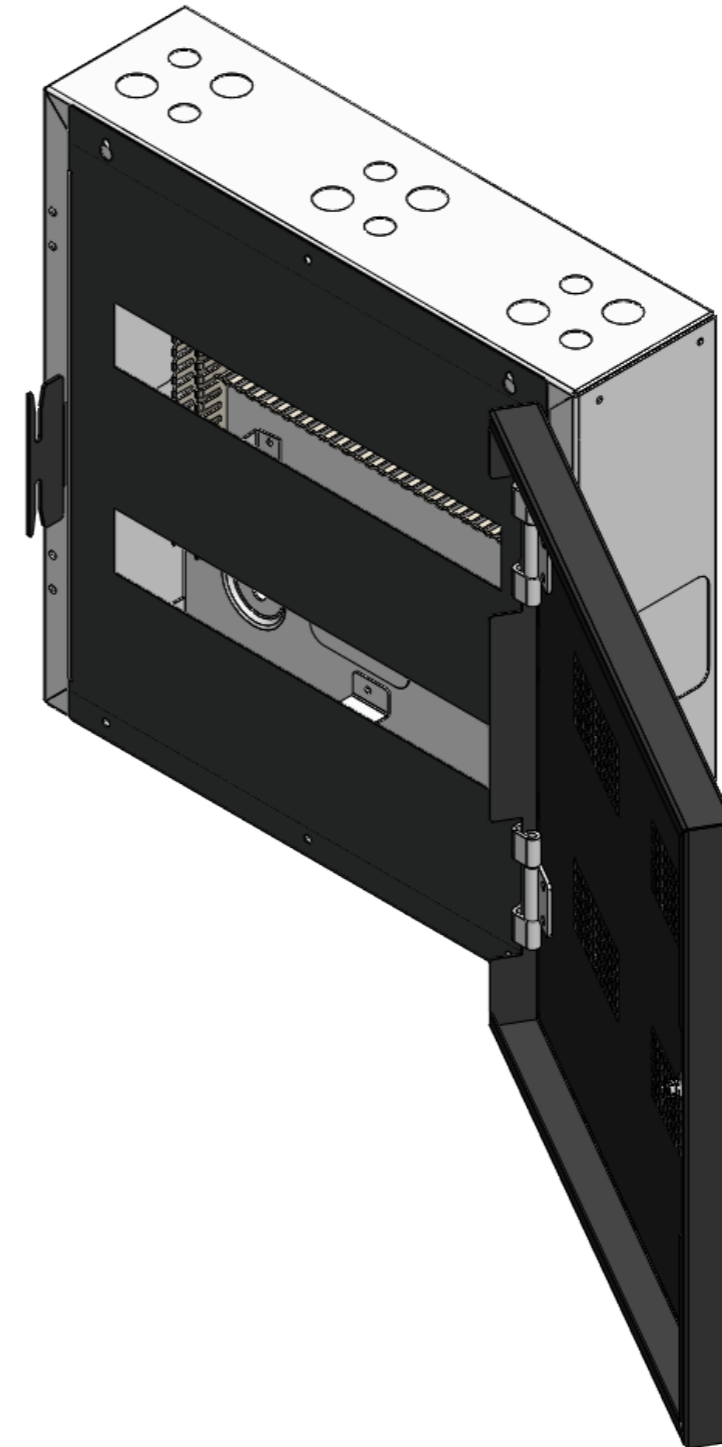
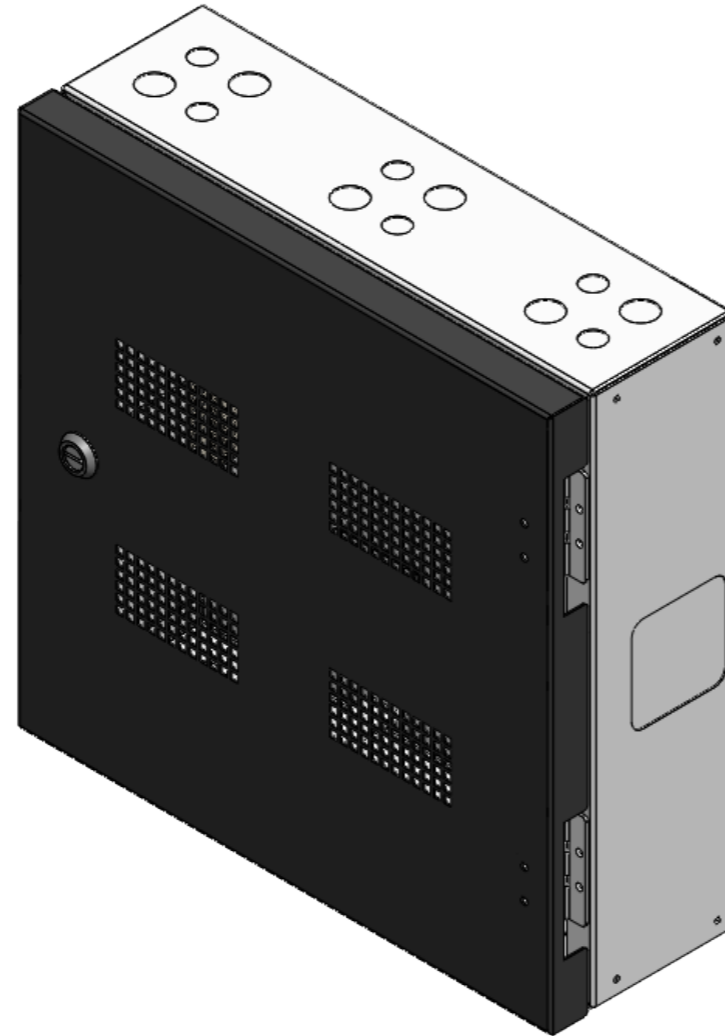


DESIGN HIGHLIGHTS

- Easy Installation / Mounting
- Multiple Cable Entry Options
- Reversible Locking Vented Door

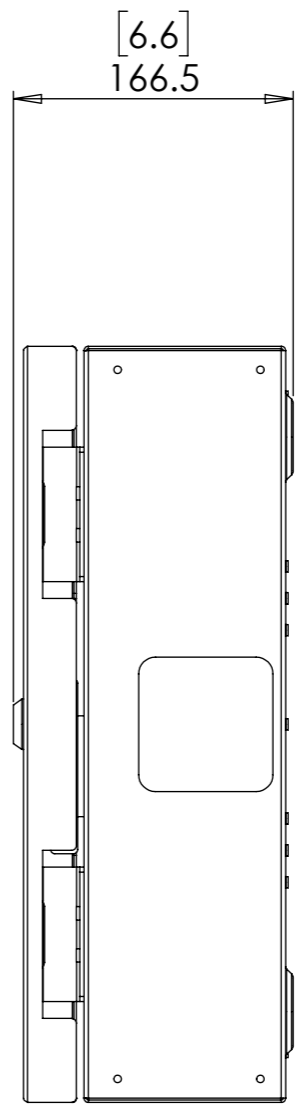
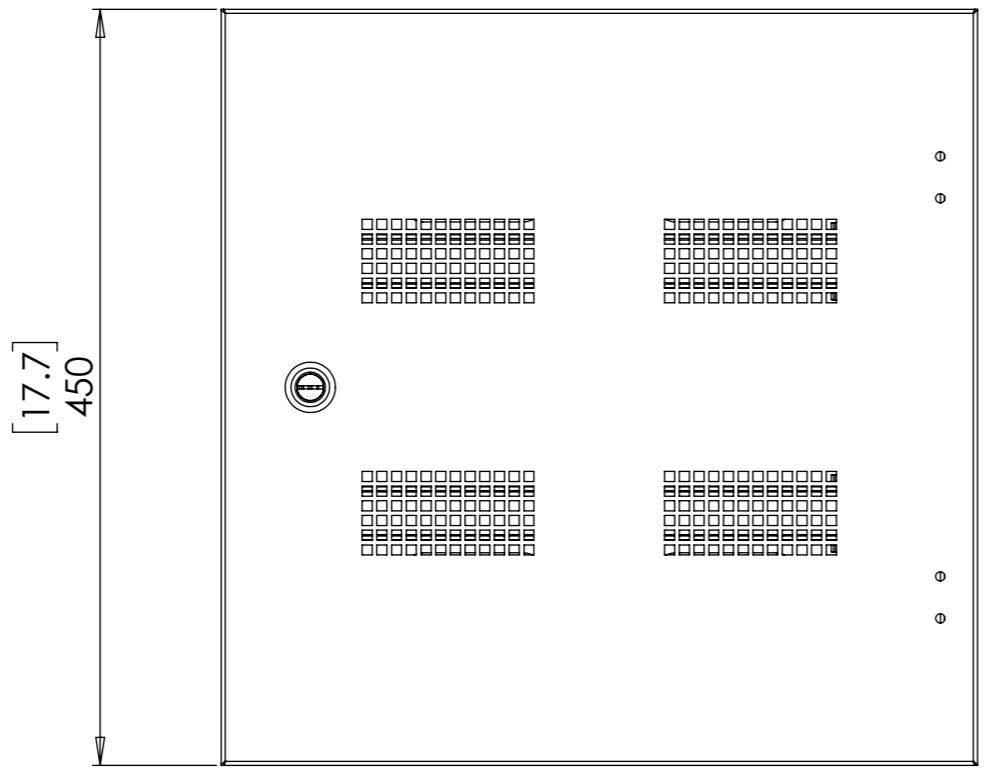
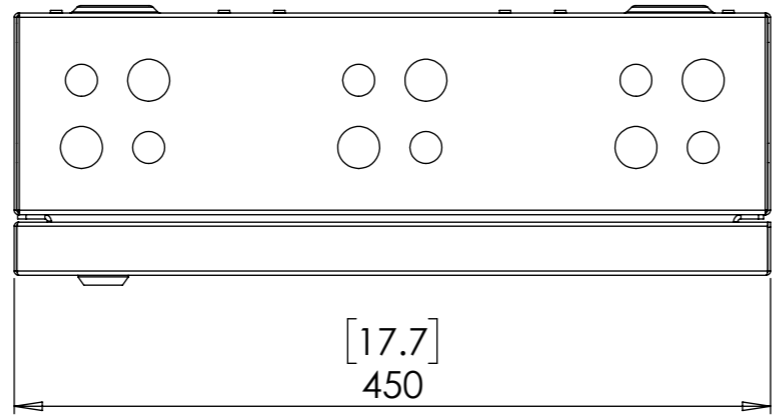
OPTIONS

- Standard Size Options:
 - CEB 2 - 2 DIN Rails
 - CEB 3 - 3 DIN Rails
 - CEB 4 - 4 DIN Rails
- Custom Sizes Available



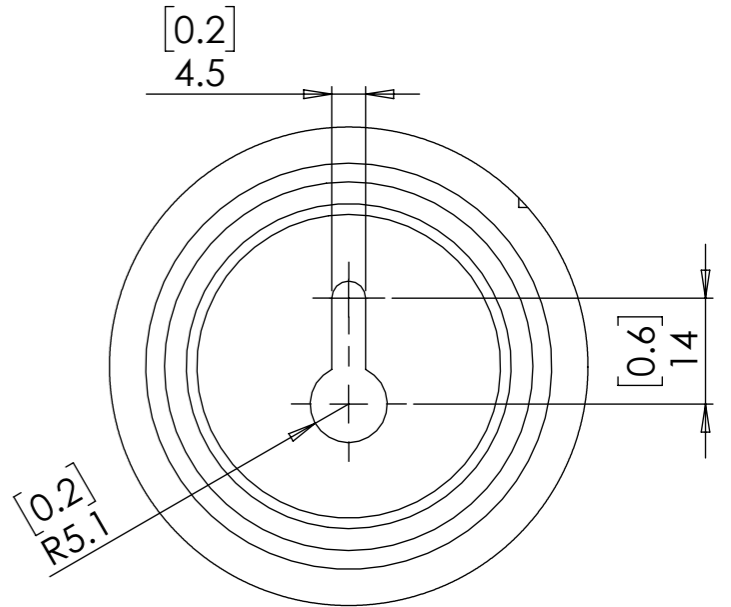
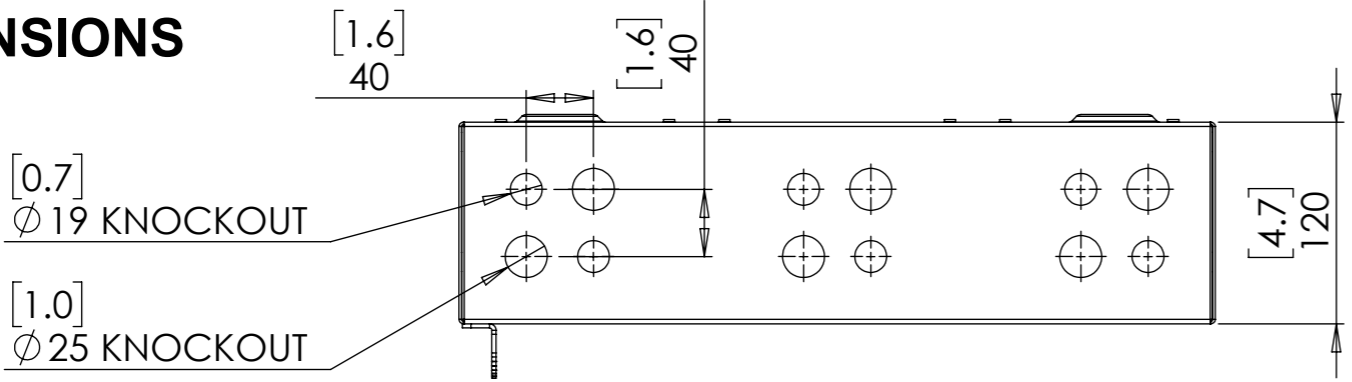


OVERALL DIMENSIONS

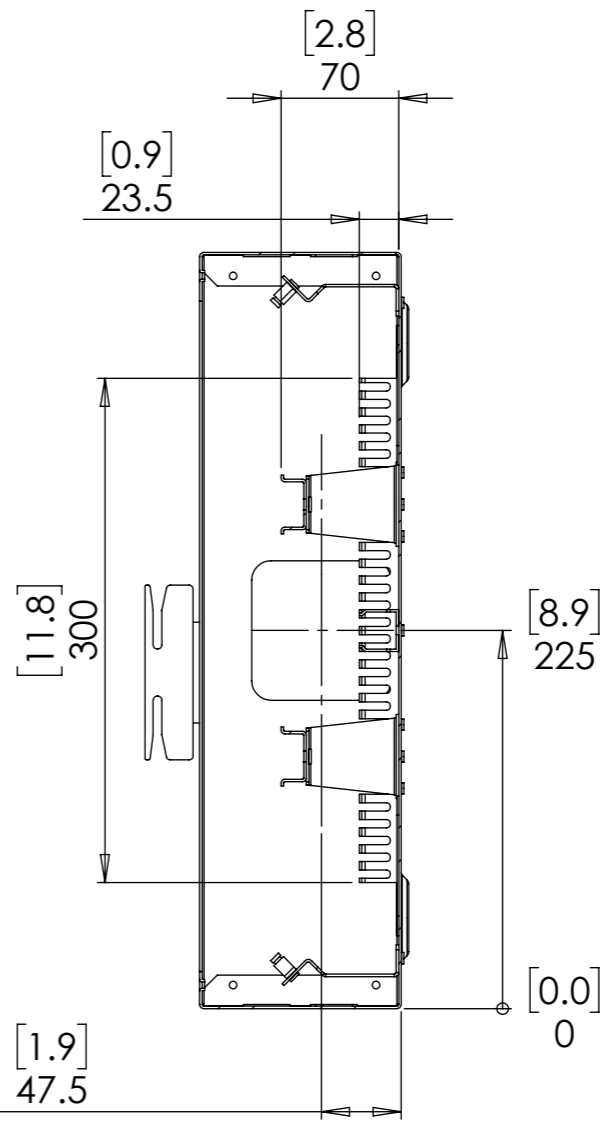
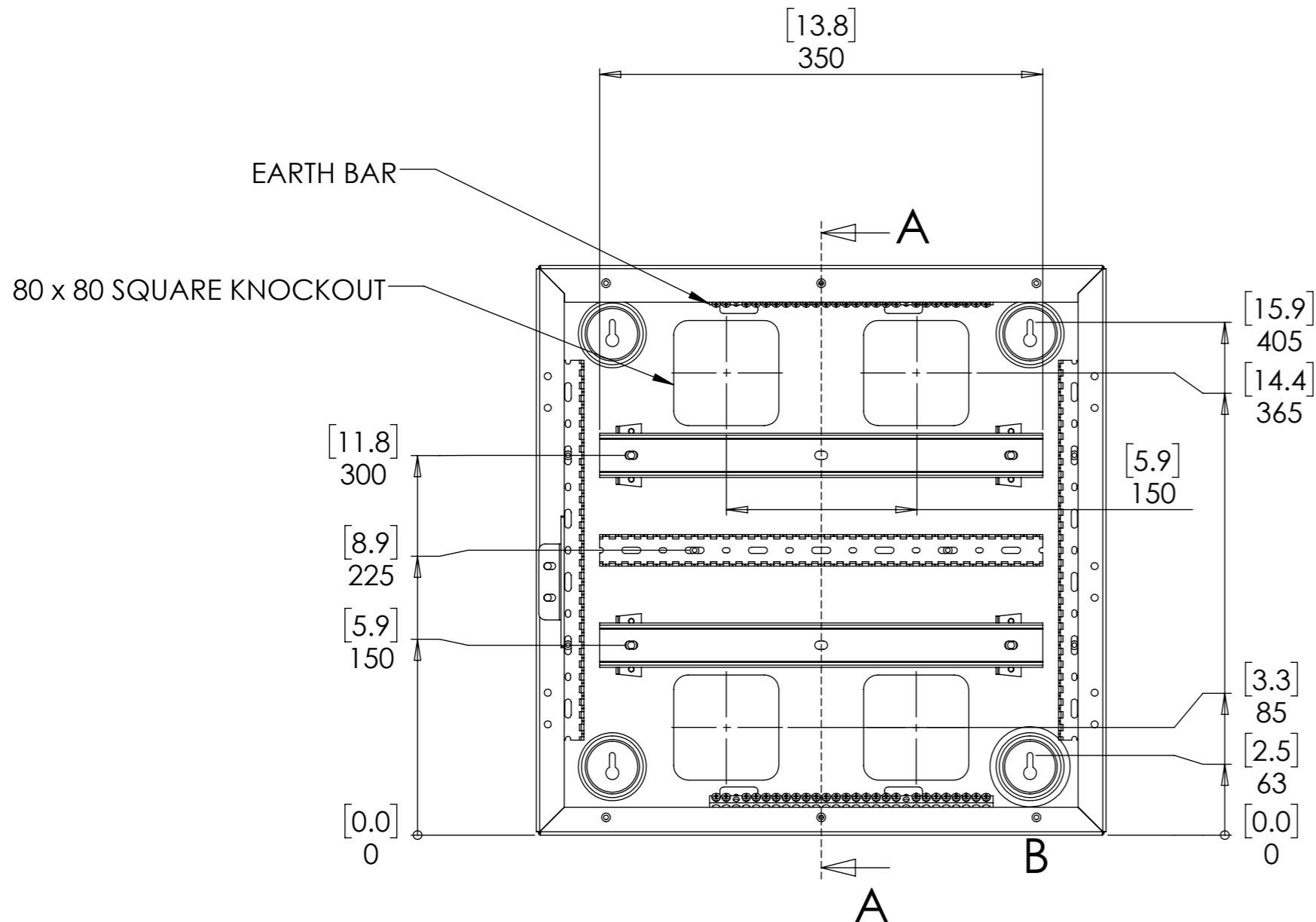




ENCLOSURE DIMENSIONS



VIEW B



SECTION A-A



REVERSIBLE DOOR OVERVIEW

Door shown opening towards the right hand side

In order to switch to left hand side opening, simply remove front cover, disassemble hinge outers and latch bracket from enclosure and swap to opposing side

