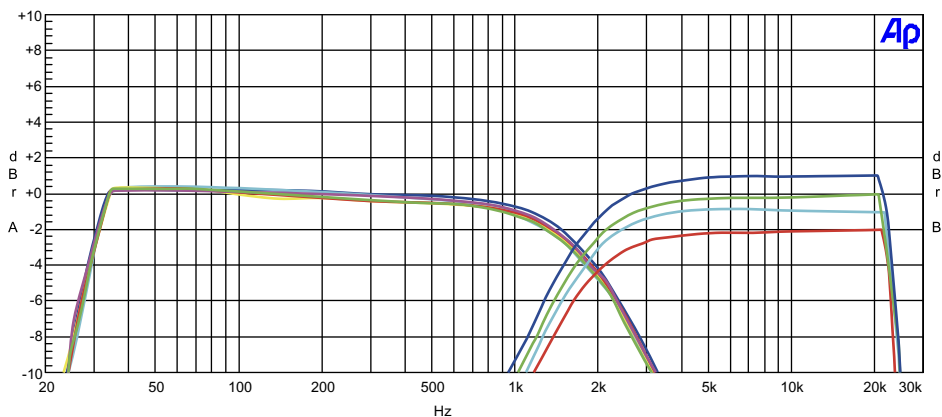
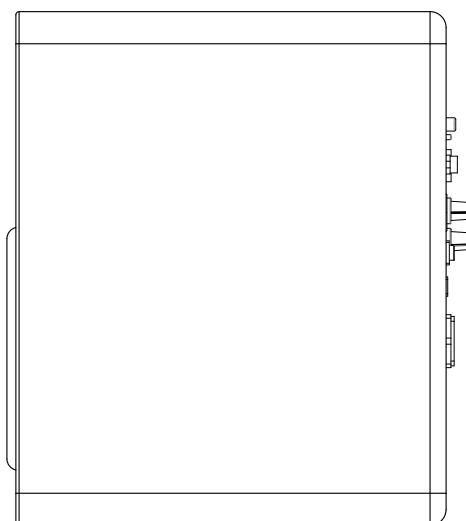
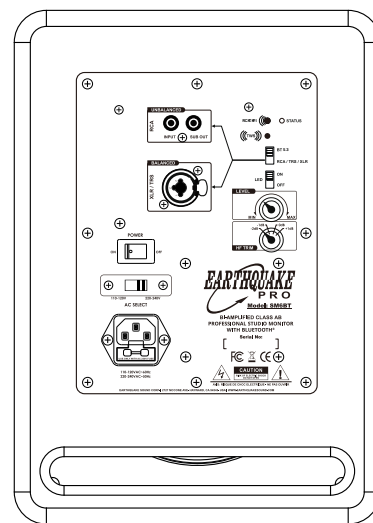
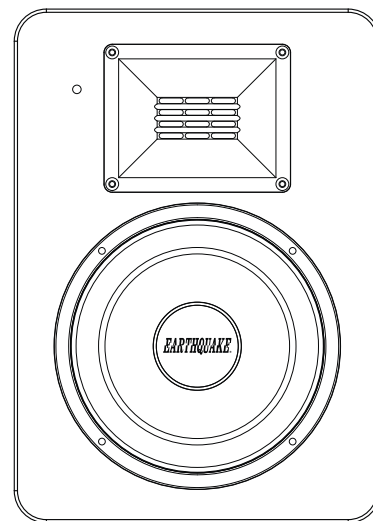


SM6BT

SPECIFICATIONS

Configuration	2-Way
System Type	Active (Bi-amplification Architecture) Class A/B
Enclosure Type	Rear-Firing Bass Reflex
HF Driver	2" Wide Band Ribbon Driver
LF Driver	6.5" Carbon Fiber Cone Woofer
Frequency Range (-10dB)	35Hz–40kHz
Crossover Frequency	2.8kHz @ 12dB/Oct
Power Rating (HF / LF)	30 Watts / 100 Watts
Peak SPL	108dB
Subsonic Filter	25Hz
Inputs	Balanced XLR/TRS Combo Jack Unbalanced RCA Bluetooth v5.3 with TWS Pairing
Outputs	RCA Subwoofer Out
Controls	System Level (-80dB to +8dB) HF Level (-2dB, -1dB, 0, +1dB)
Supported Audio Formats	aptX™, aptX™ HD, aptX™ Adaptive, FLAC, FastStream, AAC, AAC+, MP3, SBC
Cabinet Construction	3/4" Inch (20mm) MDF
Cabinet Finish	Painted Matte Black
Dimensions (H x W x D) Feet, amplifier, and grille	12.75" x 9" x 11.5" (324mm x 228mm x 292mm)



SM6BT

MSRP: \$1,199.00/PAIR



Earthquake Sound Corporation

2727 McCone Avenue, Hayward, CA 94545 • www.earthquakesound.com • 510-732-1000

©2024 Earthquake Sound Corporation

All copyrighted, trademarked, and patented elements mentioned herein are the sole property of Earthquake Sound Corporation.