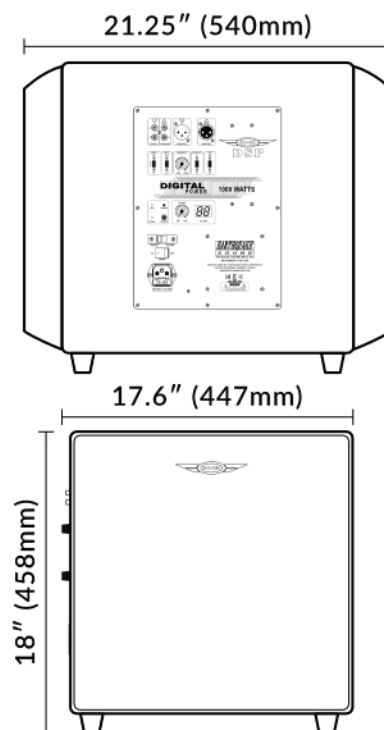


# SPECIFICATIONS

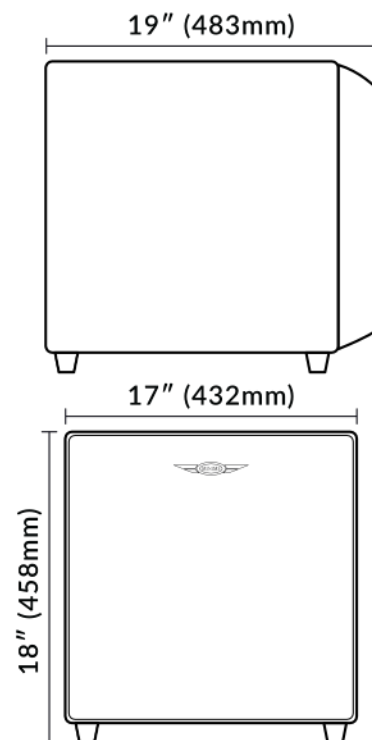
MODEL	P-15
Enclosure Type	Ported with Passive Radiator
Amplifier Power	1000 Watts MAX
Drivers	15" MAGMA-X Active 15" SLAPS v2 Passive
Frequency Response	18Hz-115Hz
Crossover Frequency	40Hz-160Hz
Inputs/Outputs	Low Level RCA Inputs & Outputs Fully Balanced XLR Input Mono DSP XLR Output
Enclosure Finish	Glossy Black Piano Lacquer
Dimensions (HxWxD) Includes grilles, amplifier, and feet	18" x 17.6" x 21.25" 458mm x 448mm x 540mm

MiniMe DSP P-15  
MSRP: \$2,299.00



MODEL	FF-15
Enclosure Type	Sealed Front Firing
Amplifier Power	1000 Watts MAX
Drivers	15" MAGMA-X Active
Frequency Response	18Hz-115kHz
Crossover Frequency	40Hz-160Hz
Inputs/Outputs	Low Level RCA Inputs & Outputs Fully Balanced XLR Input Mono DSP XLR Output
Enclosure Finish	Glossy Black Piano Lacquer
Dimensions (HxWxD) Includes grilles, amplifier, and feet	18" x 17.6" x 19" 458mm x 448mm x 483mm

MiniMe DSP FF-15  
MSRP: \$2,199.00



**Earthquake Sound Corporation**

2727 McCone Avenue, Hayward, CA 94545 • www.earthquakesound.com • 510-732-1000

©2021 Earthquake Sound Corporation

All copyrighted, trademarked, and patented elements mentioned herein are the sole property of Earthquake Sound Corporation.