

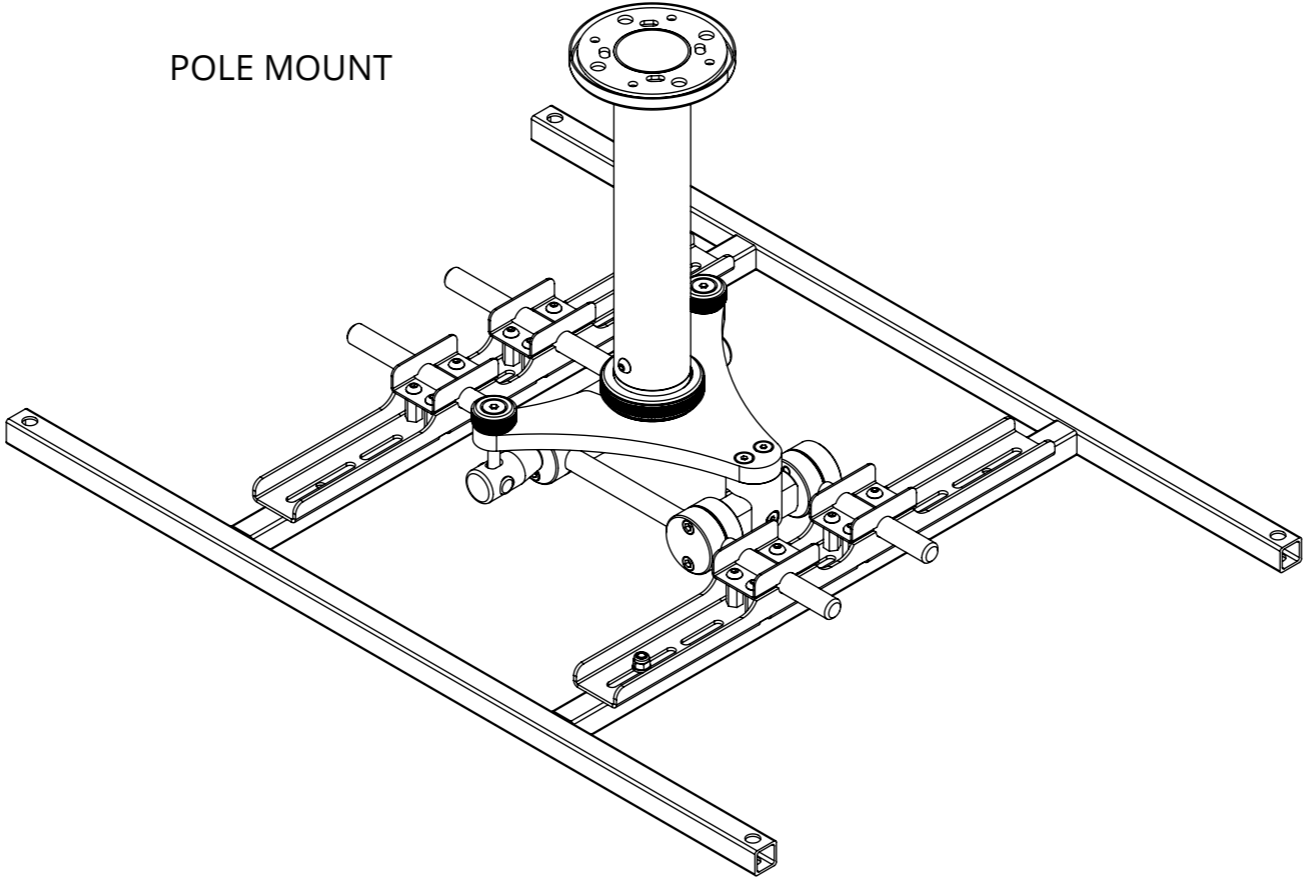
PM XL - NJORD

PROJECTOR MOUNT FOR BARCO NJORD

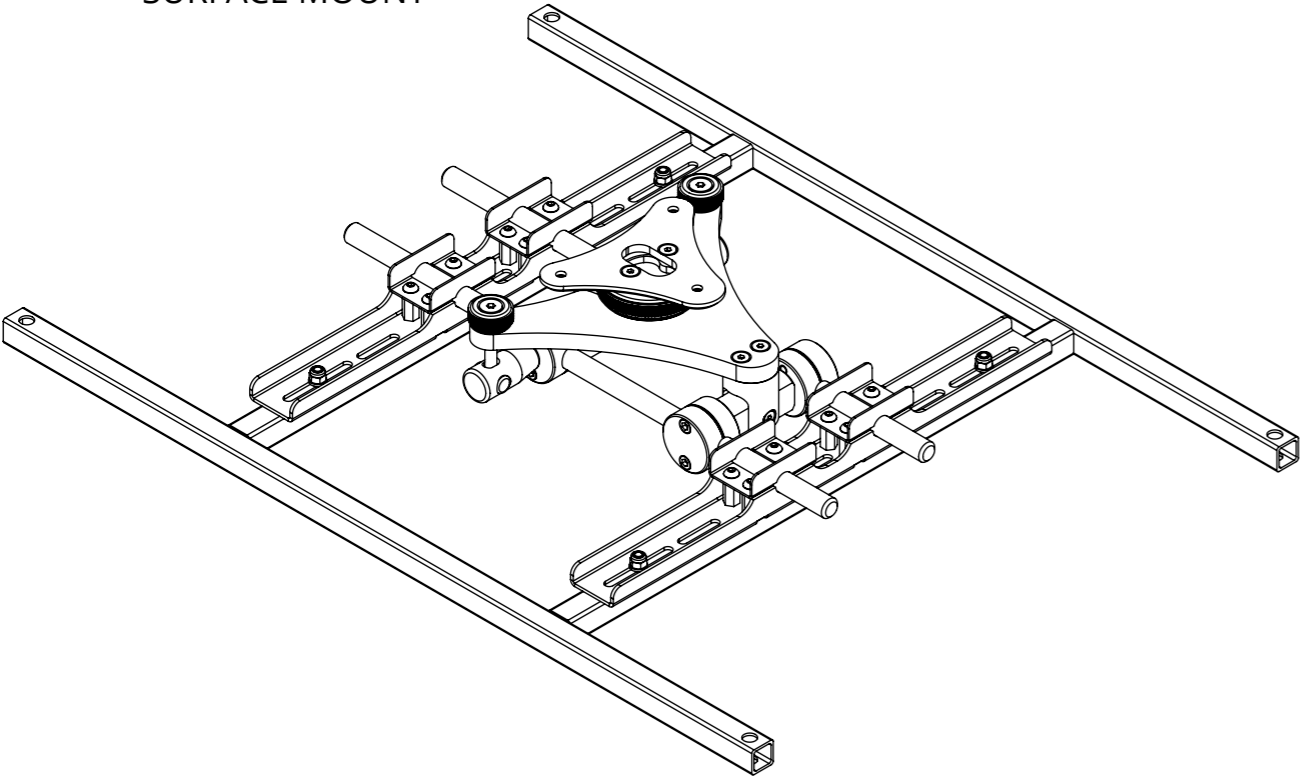


future automation

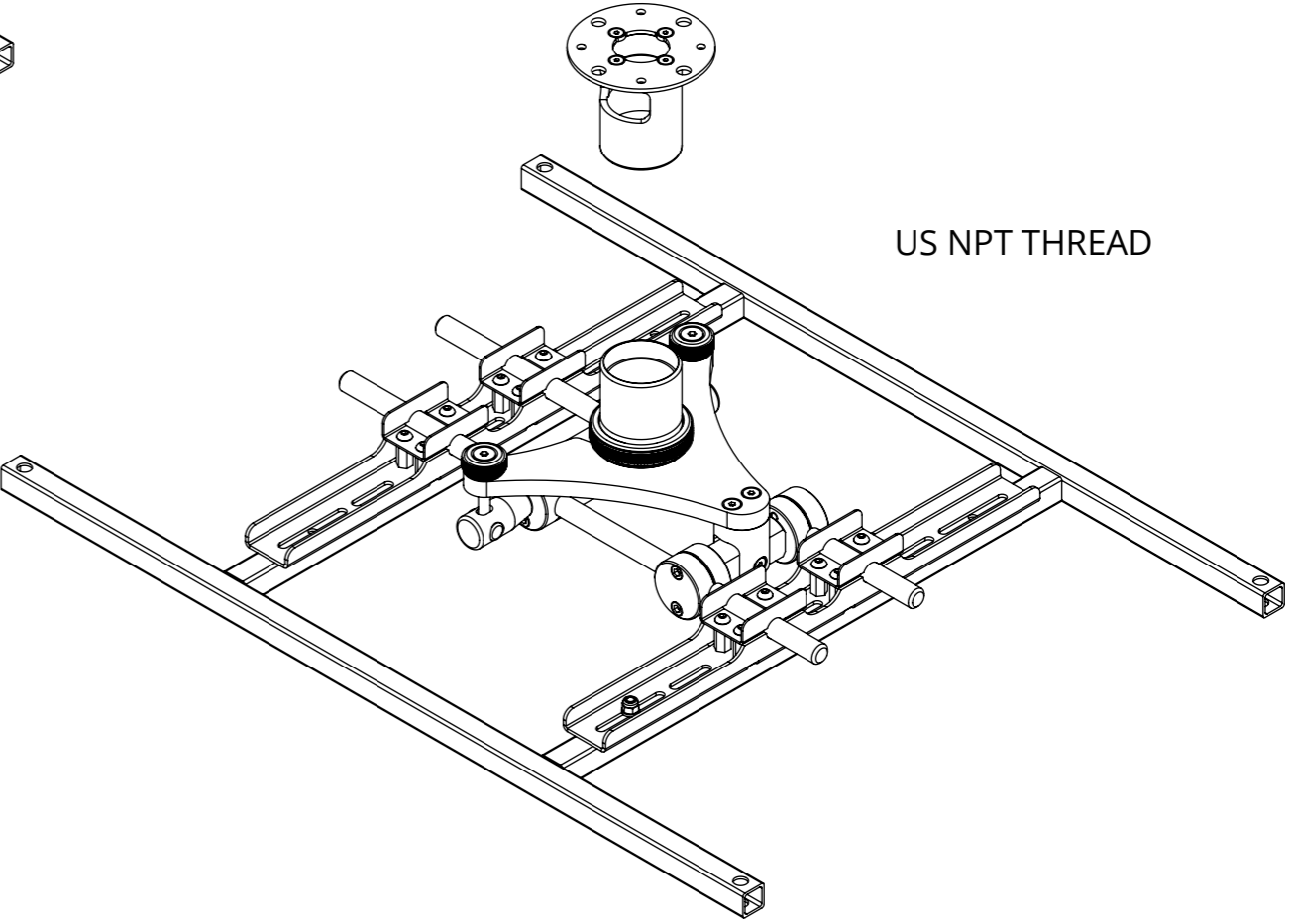
POLE MOUNT



SURFACE MOUNT



US NPT THREAD



PM XL - NJORD

PROJECTOR MOUNT FOR BARCO NJORD



SPECIFICATION	MEASUREMENTS
Product Dimensions	700mm (27 9/16") x 571mm (20 1/8") x 114mm (4 1/2")
Maximum Weight Capacity	60Kg (132lb)
Depth From Ceiling	114mm (4 1/2")
Maximum Rotation	360°
Movement Type	Manual
Adjustments	Pitch, Roll and Yaw are adjustable
Mounting Options	Flush Surface, Pole, NPT Pipe - Telescopic pole not available
Product Options / Features	Custom RAL paint finishes
Package Contents	Mechanism
Marine Suitable	Yes (Indoor)

PM XL - NJORD

PROJECTOR MOUNT FOR BARCO NJORD

