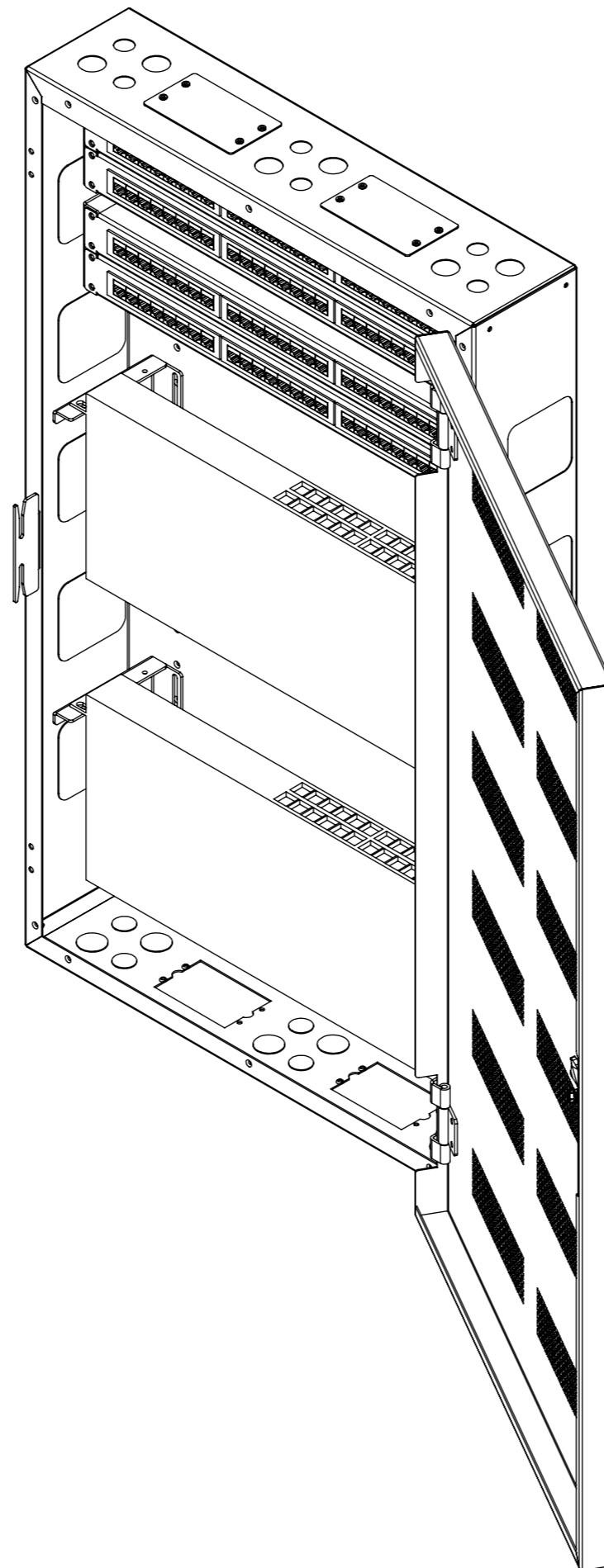


# DEB 48

## DATA ENCLOSURE BOX - 48



future automation



# DEB 48

## DATA ENCLOSURE BOX - 48



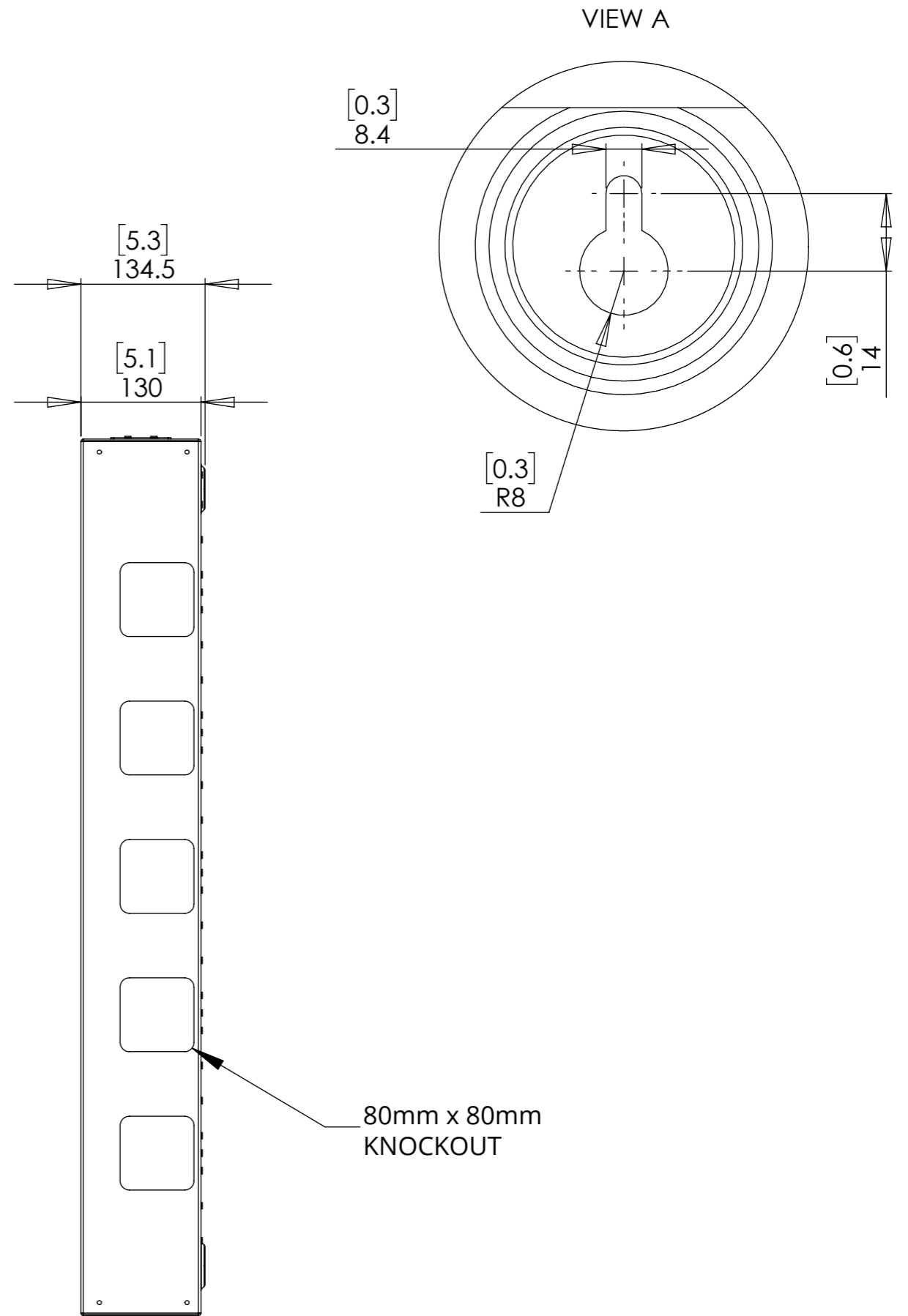
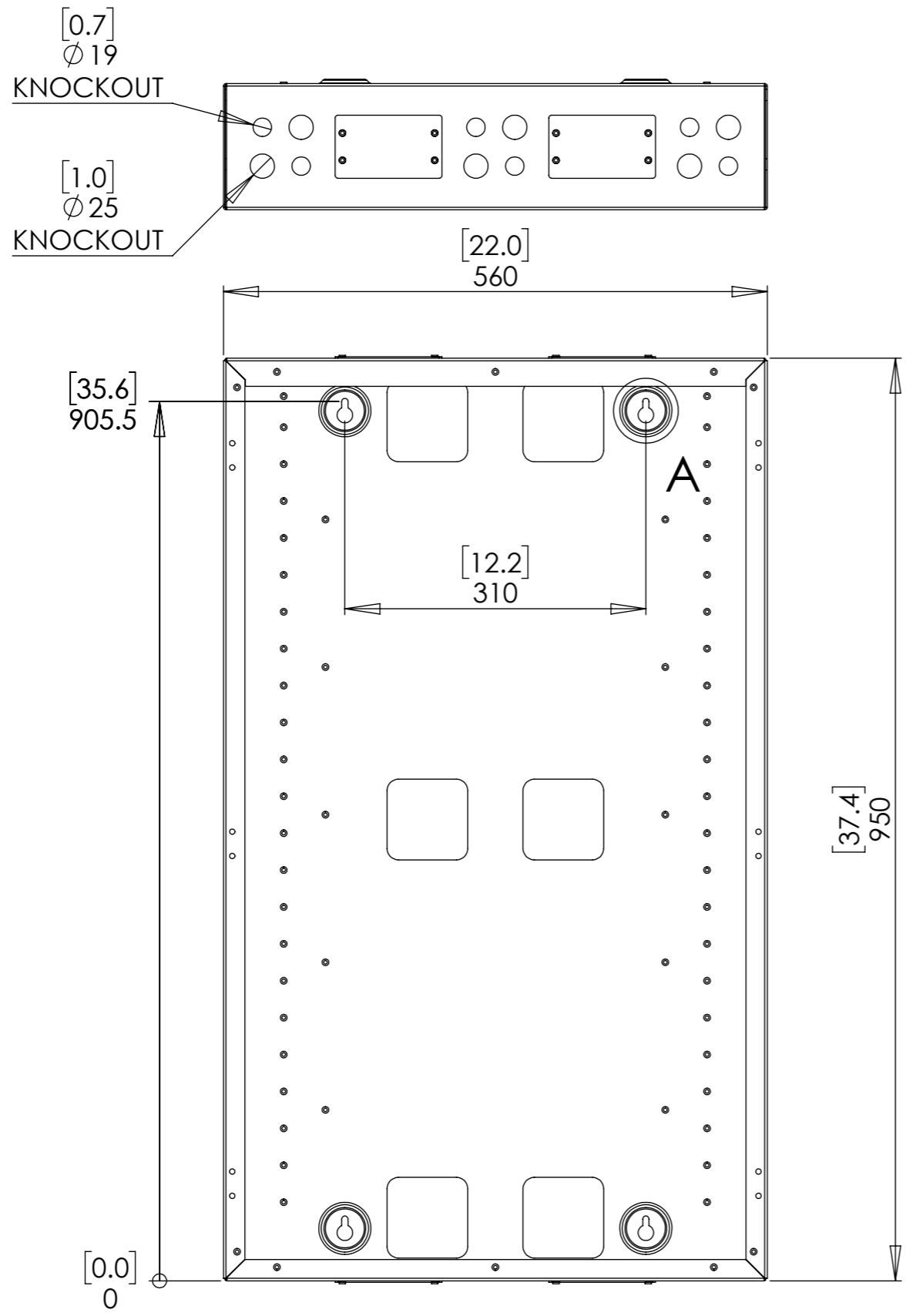
future automation

SPECIFICATION	MEASUREMENTS
Product Dimensions	950mm (37.4") x 560mm (22.0") x 176.5mm (6.9")
No. of Patch Panel Rack Unit Spaces	4
No. of Switch Panel Rack Unit Spaces	4
Finish (Custom Available)	Lid - Black Textured Paint, Box - Zintec Coated Steel
Depth From Wall	176.5mm (6.9")
Wall Mount Type	8mm (0.3") Keyhole Slots
Shipping Dimensions	1000mm (39.4") x 610mm (24") x 227mm (8.9")
Shipping Weight	17Kg (37.4lbs)

# DEB 48

## DATA ENCLOSURE BOX - 48

### ENCLOSURE DIMENSIONS

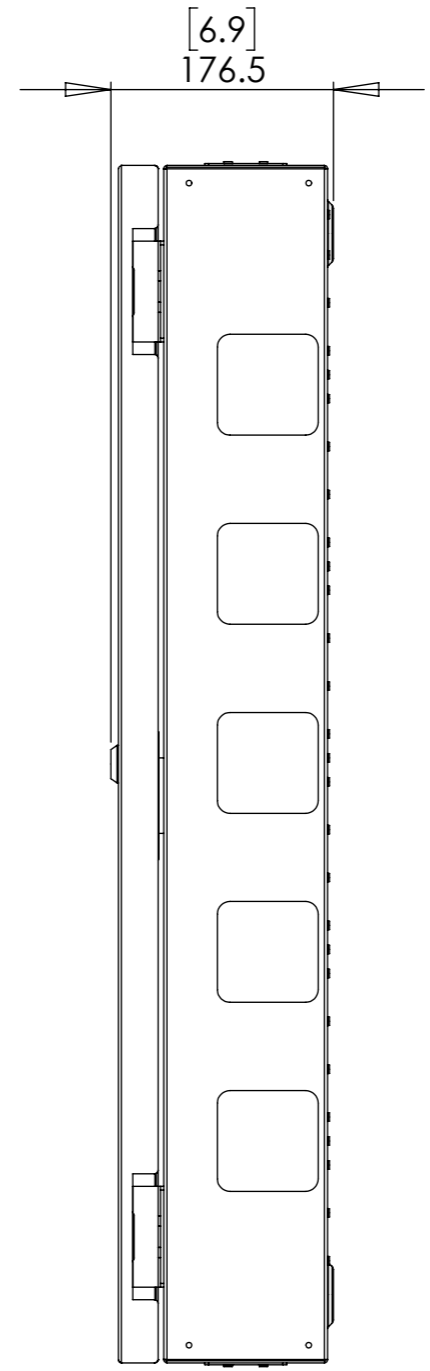
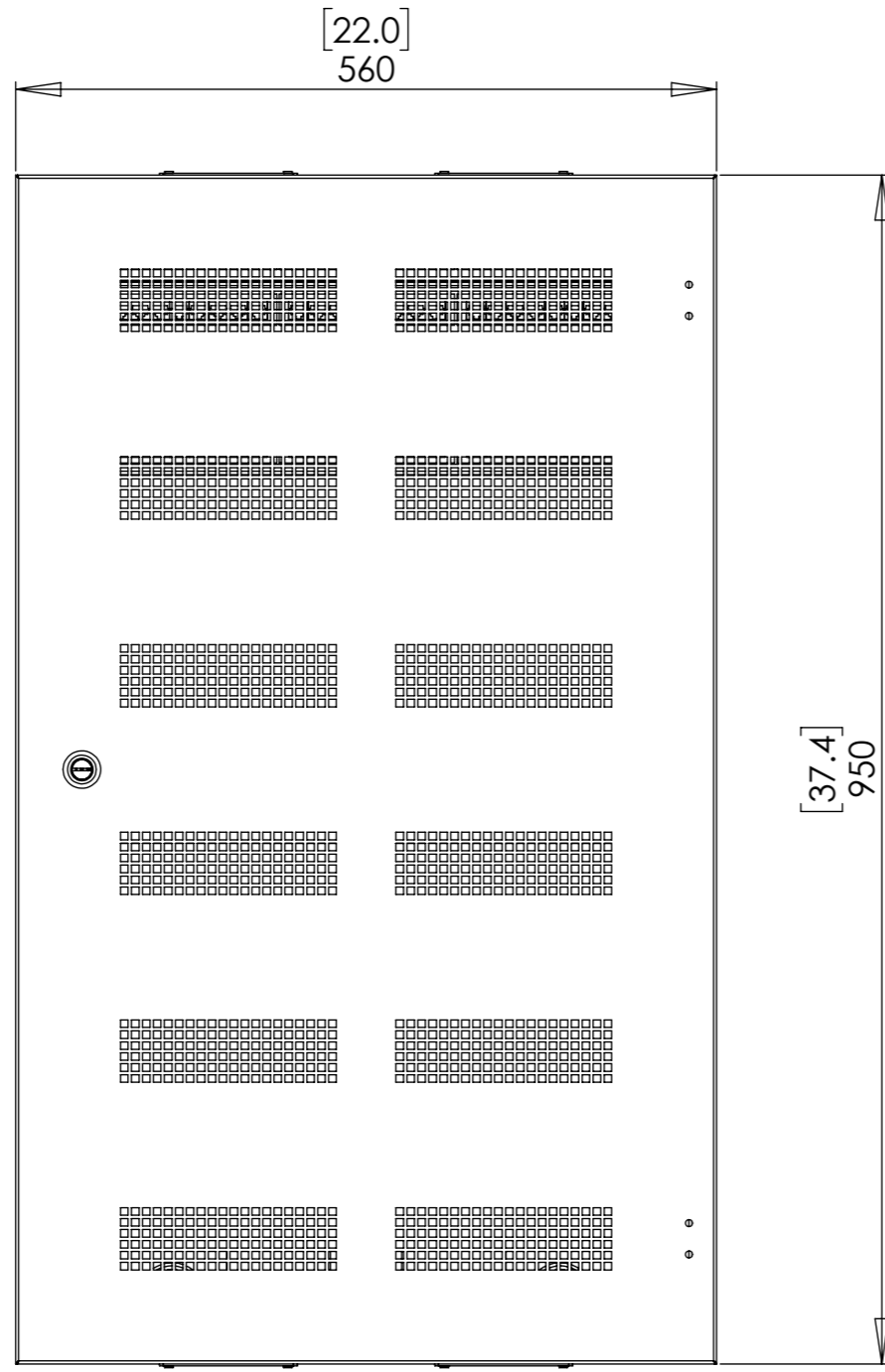
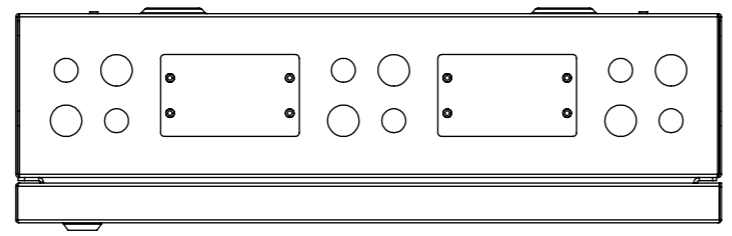


# DEB 48

## DATA ENCLOSURE BOX - 48



### OVERALL DIMENSIONS



# DEB 48

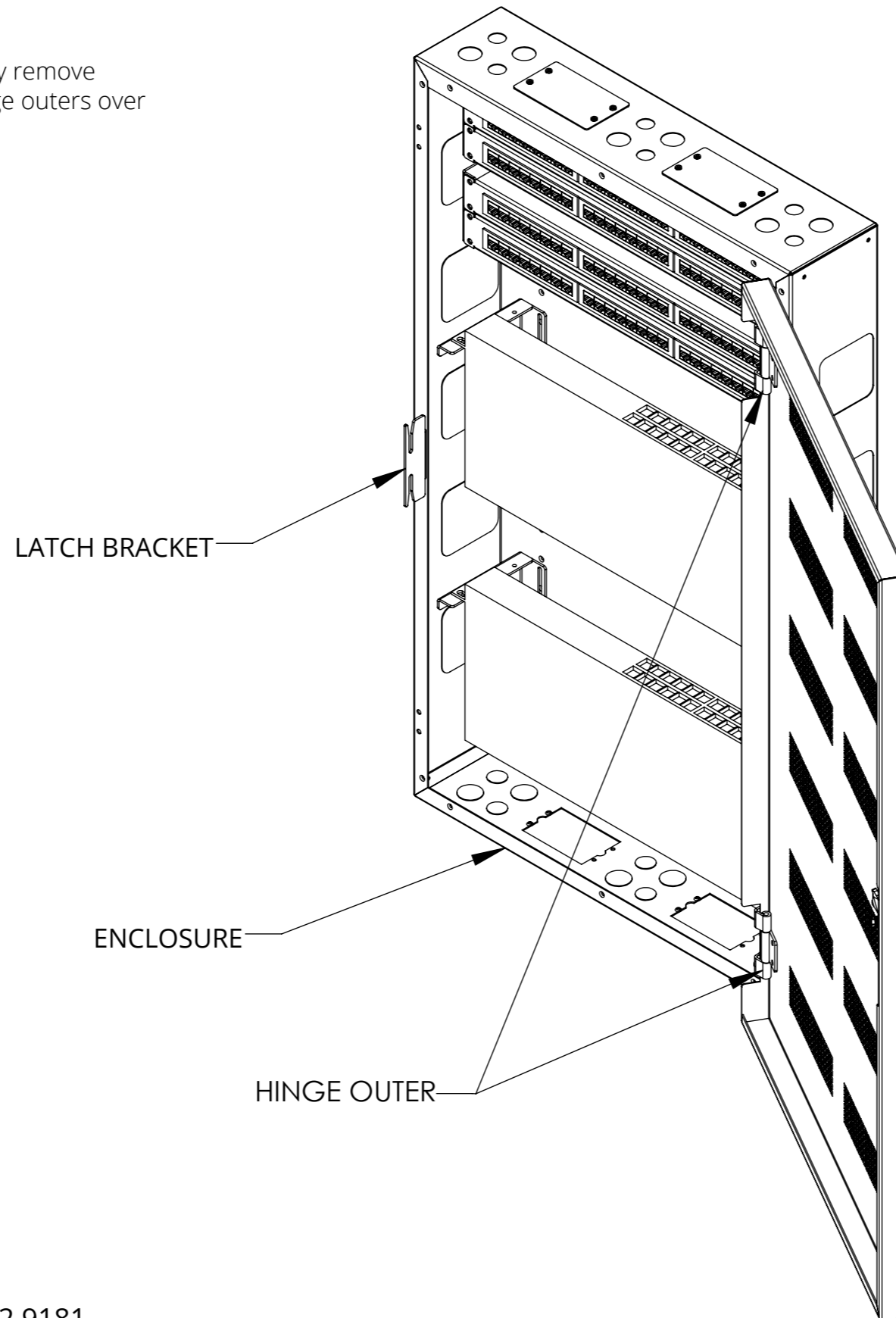
## DATA ENCLOSURE BOX - 48



### REVERSIBLE DOOR OVERVIEW

Door shown opening towards the right hand side

In order to switch to left hand side opening, simply remove front cover panel and swap latch bracket and hinge outers over



# DEB 48

## DATA ENCLOSURE BOX - 48



### INTERNAL MOUNTING CAPACITY

